



ProJet™ HN series - cast iron

Self-Priming Shallow Well Jet Pumps



The ProJet™ HN models provide excellent performance with good pressure for wells to 25' deep. Self-priming after the priming chamber has been filled with water.

APPLICATIONS

■ **Water systems and sprinkling...** for homes, farms and cottages.

SPECIFICATIONS

Max. Liquid Temperature – 140°F

Max. Inlet Pressure – 50 PSI

Average Priming time at 15 feet –

5HN = 1.7; 7HN = 1.1; 10HN = 1.3

Average Priming time at 25 feet –

5HN = 4.4; 7HN = 4.4; 10HN = 2.6

Body – Close-grained cast iron

Nozzle – High strength Lexan®

Venturi – Lexan®

Impeller – Noryl®

Diffuser – Reinforced polypropylene

Shaft – One-piece threaded, 416 grade stainless steel

Base – Steel, 12 gauge

ORDERING INFORMATION

Catalog Number	HP	Switch Setting	Description	Pipe Tapping Sizes		Motor Voltage	Approx. Wt. Lbs.
				Suct.	Disch.		
5HN	1/2	30-50	Shallow Well Jet	1-1/4"	1"	115/230	47
7HN	3/4	30-50	Shallow Well Jet	1-1/4"	1"	115/230	65
10HN	1	30-50	Shallow Well Jet	1-1/4"	1"	115/230	70

FEATURES

Quality Construction – Close-grained cast iron body, specially treated for corrosion resistance. Drain port provided for easy winterizing.

Built-in Jet – High strength Lexan® nozzle and venturi for maximum resistance to corrosion and abrasion. Clean out plug provided for ease of service.

Noryl® Impeller – Precision-molded for perfect balance... ultra-smooth for highest performance and efficiency.

Precision Molded Diffuser – Pump primes faster, handles more air, with multi-port, precision-molded, reinforced polypropylene diffuser.

Mechanical Shaft Seal – Precision lapped and highly polished carbon-ceramic, stainless steel construction. Internal design guarantees continuous water lubrication.

Motor Windings – Superior insulation materials protect against excessive moisture and contaminants... assure prolonged motor life.

Balanced Rotor – Die cast under high pressures for uniform performance and greater efficiency, dynamically balanced.

Heavy-duty Ball Bearings – Shielded, permanently lubricated bearings, extensively tested to ensure extended life and smooth, quiet operation.

Pump and Motor Shaft – Stainless steel for maximum corrosion resistance; one-piece threaded shaft for positive impeller drive and alignment.

Pressure Switch – Professional quality, allows cut-in and differential adjustments.

Lexan® and Noryl® are registered trademarks of General Electric Co. ProJet™ and PRO-Source™ are trademarks of Pentair Water.

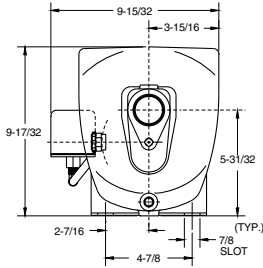
In order to provide the best products possible, specifications are subject to change.



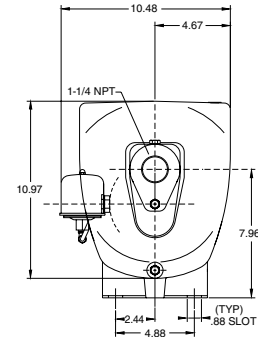
ProJet™ HN series - cast iron

Self-Priming Shallow Well Jet Pumps

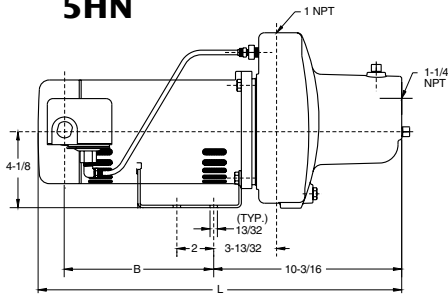
OUTLINE DIMENSIONS



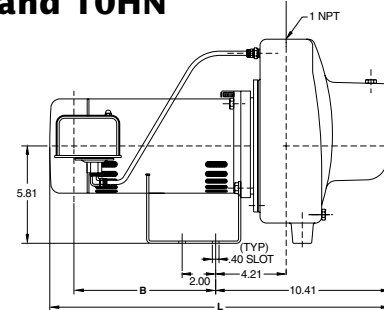
Cat. No.	L	B
5HN	18.7	7.1
7HN	21.3	7.0
10HN	22.4	8.0



5HN

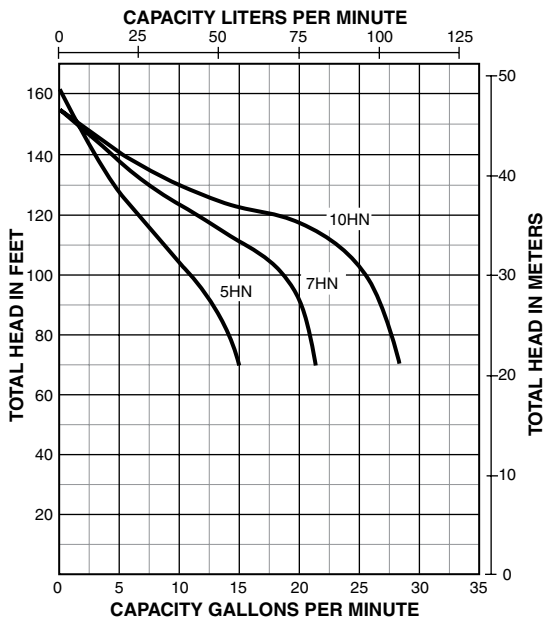


7HN and 10HN



Dimensions (in inches) are for estimating purposes only.

PUMP PERFORMANCE



2.31 FT. OF HEAD = 1 PSI
1 FT. OF HEAD = .433 PSI

PUMP PERFORMANCE (Capacity in Gallons Per Minute)

Catalog Number	HP	Disch. Pressure PSI	Dynamic Suction Lift					Shut-Off Pressure PSI
			5'	10'	15'	20'	25'	
5HN	1/2	30	15.0	13.0	11.6	8.7	6.9	70
		40	12.5	11.4	10.1	8.2	6.8	
		50	8.0	6.8	6.1	4.8	3.5	
7HN	3/4	30	21.4	19.1	16.5	13.3	9.5	67
		40	20.8	18.7	15.8	13.2	9.3	
		50	13.5	11.6	10.1	7.4	2.4	
10HN	1	30	28.5	25.0	21.4	17.4	12.6	67
		40	28.3	24.4	21.0	17.2	12.3	
		50	21.5	18.3	10.9	3.1	1.6	

Pump will operate at all depths shown, with pressure switch set at 30-50 PSI. Tested and rated in accordance with Water Systems Council Standards.

NOTE: Pumps installed with a PRO-Source™ tank require a 100 PSI relief valve. Pumps installed with a conventional tank require a 75 PSI relief valve. Relief valve must be capable of relieving entire flow of pump at relief pressure.