

LD Series Enclosed Hose Reels

Hose Reels and Packages

Features and Benefits

- Designed for light-duty applications
- Enclosed for safety and protection, extends hose life
- Flexible mounting options—hang on wall or ceiling; bench, table or tank top-mount options are available
- Full-flow swivel maximizes fluid flow with minimal pressure drop
- Easy spring tension adjustment—increase or decrease pressure spring tension while reel is pressurized

Typical Applications

- Small maintenance shops
- Tire/muffler shops
- Small fast lubes
- Independent repair facilities
- Industrial manufacturing facilities

Typical Fluids Handled

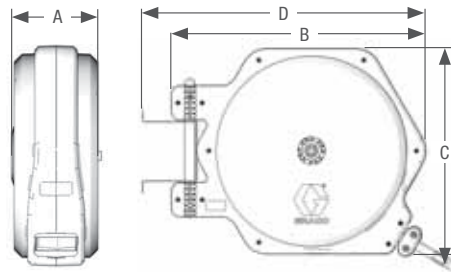
- Petroleum— and synthetic—based oils
- Grease
- Air only
- Air/water
- Anti-Freeze
- Windshield Washer

Dimensions

LD SERIES	
A	7.1 in (180 mm)
B	23.0 in (585 mm)
C	18.5 in (470 mm)
D	25.6 in (650 mm)



Enclosed hose reel comes with ceiling/wall mounting swivel bracket. Required inlet hose kit sold separately.



NPT Replacement Reels* Ordering Information

Part Number	Application	Hose Size Id x Length		Pressure psi (bar)	Connection Size Inlet NPT(m) x Outlet NPT(m)
24H655	Air Only	6 mm x 11 m	1/4 in x 35 ft	250 (17.2)	1/2 in x 1/4 in
24H656	Air Only	6 mm x 15 m	1/4 in x 50 ft	250 (17.2)	1/2 in x 1/4 in
24H657	Air/Water	10 mm x 11 m	3/8 in x 35 ft	250 (17.2)	1/2 in x 3/8 in
24H658	Air/Water	10 mm x 15 m	3/8 in x 50 ft	250 (17.2)	1/2 in x 3/8 in
24H659	Air/Water	12 mm x 11 m	1/2 in x 35 ft	250 (17.2)	1/2 in x 1/2 in
24H660	Air/Water	12 mm x 14 m	1/2 in x 45 ft	250 (17.2)	1/2 in x 1/2 in
24H661	Oil	10 mm x 11 m	3/8 in x 35 ft	1800 (124)	1/2 in x 3/8 in
24H662	Oil	12 mm x 11 m	1/2 in x 35 ft	1800 (124)	1/2 in x 1/2 in
24H663	Grease	6 mm x 11 m	1/4 in x 35 ft	5000 (345)	3/8 in x 1/4 in

*Reel only. Mounting Hardware is not included



Hose Inlet Kit for LD enclosed reels

Hose Inlet Kits for LD Enclosed Hose Reel

	Part Number	Hose Inlet Description	Fits Reel	Pressure psi (bar)	Hose id in (mm)	Length in (mm)	Hose Inlet in	Hose Outlet in
For NPT connections	24C443	Air	24H655	250 (17.2)	1/4 (6)	36 in (915)	1/4 npt(m)*	1/4 npt(m)*
			24H656		3/8 (10)			3/8 npt(m)*
	24C444	Air/water	24H657		1/2 (12)		1/2 npt(m)*	1/2 npt(m)*
			24H658		3/8 (10)			3/8 npt(m)*
	24C537	Oil	24H661		1,800 (124)		1/2 (12)	1/2 npt(m)*
	24C538		24H662		5,000 (345)		1/4 (6)	1/4 npt(m)*
	24C539	Grease	24H663		5,000 (345)		1/4 (6)	1/4 npt(m)*

* NPT hose connection when using BSP to NPT adapter (included)

LD Series Enclosed Hose Reels

Hose Reels and Packages

Wall Mount Package* (NPT)

Package Part Number	Application	Hose Size Id x Length	Reel (NPT)	Wall Mount Kit	Inlet Kit
24F735	Air	1/4 in x 35 ft	24H655	24G866	24C443
24F736	Air	1/4 in x 50 ft	24H656	24G866	24C443
24F737	Air/Water	3/8 in x 35 ft	24H657	24G866	24C444
24F738	Air/Water	3/8 in x 50 ft	24H658	24G866	24C444
24F739	Air/Water	1/2 in x 35 ft	24H659	24G866	24C444
24F740	Air/Water	1/2 in x 45 ft	24H660	24G866	24C444
24F741	Oil	3/8 in x 35 ft	24H661	24G866	24C537
24F742	Oil	1/2 in x 35 ft	24H662	24G866	24C538
24F743	Grease	1/4 in x 35 ft	24H663	24G866	24C539

*Hose Reel, Inlet Kit, Wall Mount Bracket Kit Included



Fixed Mount Package* (NPT)

Package Part Number	Application	Hose Size Id x Length	Reel (NPT)	Wall Mount Kit	Inlet Kit
24F753	Air	1/4 in x 35 ft	24H655	24G865	24C443
24F754	Air	1/4 in x 50 ft	24H656	24G865	24C443
24F755	Air/Water	3/8 in x 35 ft	24H657	24G865	24C444
24F756	Air/Water	3/8 in x 50 ft	24H658	24G865	24C444
24F757	Air/Water	1/2 in x 35 ft	24H659	24G865	24C444
24F758	Air/Water	1/2 in x 45 ft	24H660	24G865	24C444
24F759	Oil	3/8 in x 35 ft	24H661	24G865	24C537
24F760	Oil	1/2 in x 35 ft	24H662	24G865	24C538
24F761	Grease	1/4 in x 35 ft	24H663	24G865	24C539

*Reel, Inlet kit, Fixed Bracket Kit



Swivel Mount Package* (NPT)

Package Part Number	Application	Hose Size Id x Length	Reel (NPT)	Wall Mount Kit	Inlet Kit
24F771	Air	1/4 in x 35 ft	24H655	24C772	24C443
24F772	Air	1/4 in x 50 ft	24H656	24C772	24C443
24F773	Air/Water	3/8 in x 35 ft	24H657	24C772	24C444
24F774	Air/Water	3/8 in x 50 ft	24H658	24C772	24C444
24F775	Air/Water	1/2 in x 35 ft	24H659	24C772	24C444
24F776	Air/Water	1/2 in x 45 ft	24H660	24C772	24C444
24F777	Oil	3/8 in x 35 ft	24H661	24C772	24C537
24F778	Oil	1/2 in x 35 ft	24H662	24C772	24C538
24F779	Grease	1/4 in x 35 ft	24H663	24C772	24C539

*Hose Reel, Inlet Kit, Swivel Bracket Kit



Mounting Kits Ordering Information

Part Number	Description
24G866	Wall Mount Kit
24G865	Fixed Bracket New Installation Kit
24E506	Fixed Bracket Replacement Kit
24C772	Swivel Bracket Kit



Ceiling/Wall Stationary Bracket 24E506

Tote, Bench or Wall Mount Post 24C772

SD Series Hose Reels

Hose Reels and Packages

Features and Benefits

- Designed for daily use applications, such as dealerships, fleet service and maintenance facilities
- Structurally engineered frame made from high strength steel won't bend or flex
- Long-lasting spring provides constant spring torque through the entire range of motion
- Flexible positioning of guide arm for mounting on bench or ceiling, wall or utility truck
- Steel spool for demanding applications
- Open swivel ports ensure high fluid flow with minimal pressure loss
- Enclosure kits available—ideal when appearance and protection is important
- Available in six colors. Metallic blue is standard

Typical Applications

- Car dealerships
- Light/medium-duty truck dealers
- Fleet maintenance
- Mining maintenance
- Public works garages
- Construction vehicle maintenance
- Light-utility service trucks

Dimensions

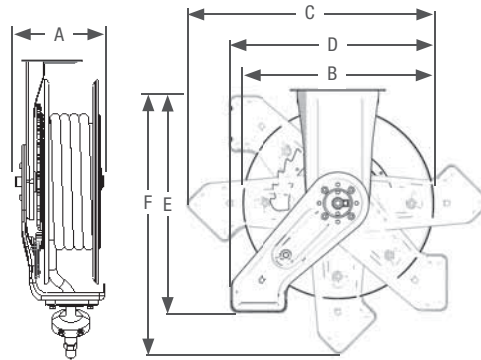
SD SERIES SIZE 10		SD SERIES SIZE 20	
A	7.0 in (177 mm)	A	7.0 in (177 mm)
B	16.2 in (412 mm)	B	18.1 in (460 mm)
C	21.0 in (533 mm)	C	23.4 in (594 mm)
D	17.1 in (435 mm)	D	19.2 in (488 mm)
E	19.5 in (495 mm)	E	21.8 in (554 mm)
F	22.5 in (571 mm)	F	25.2 in (640 mm)



Single pedestal with metal spool. Inlet Hose Kit sold separately.

Typical Fluids Handled

- Petroleum and synthetic based oils
- Grease
- Air
- Water
- Anti-freeze
- Windshield washer



Ordering Information

Technical Specifications

Applications		Model numbers by color						Pressure psi (bar)	Hose		Connection Size		Operating Temp.
		Metallic Blue	White	Red	Black	Dark Blue	Yellow		id (in)	Length ft (m)	Inlet npsm(m)	Outlet	
Air, Water, Anti-freeze, Windshield Washer Fluid	SIZE 10	HPL23B	HPL23A	HPL23C	HPL23D	HPL23E	HPL23F	300 (20.7)	3/8	35 (11)	1/2	3/8 npt (m)	-20°–190° F (-28°–87° C)
		HPL25B	HPL25A	HPL25C	HPL25D	HPL25E	HPL25F	300 (20.7)	3/8	50 (15)	1/2	3/8 npt (m)	
		HPL33B	HPL33A	HPL33C	HPL33D	HPL33E	HPL33F	300 (20.7)	1/2	35 (11)	1/2	1/2 npt (m)	
	SIZE 20	HPL56B	HPL56A	HPL56C	HPL56D	HPL56E	HPL56F	300 (20.7)	3/8	65 (20)	1/2	3/8 npt (m)	
		HPL65B	HPL65A	HPL65C	HPL65D	HPL65E	HPL65F	300 (20.7)	1/2	50 (15)	1/2	1/2 npt (m)	
		HPM33B	HPM33A	HPM33C	HPM33D	HPM33E	HPM33F	2,000 (138)	1/2	35 (11)	1/2	1/2 npt (m)	
Petroleum or Synthetic based Oils	SIZE 10	HPM3BB*	HPM3BA*	HPM3BC*	HPM3BD*	HPM3BE*	HPM3BF*	2,000 (138)	1/2	35 (11)	1/2	1/2 npsm (f)	
		HPM65B	HPM65A	HPM65C	HPM65D	HPM65E	HPM65F	2,000 (138)	1/2	50 (15)	1/2	1/2 npt (m)	
	SIZE 20	HPM6DB*	HPM6DA*	HPM6DC*	HPM6DD*	HPM6DE*	HPM6DF*	2,000 (138)	1/2	50 (15)	1/2	1/2 npsm (f)	
		Grease	SIZE 10	HPH15B	HPH15A	HPH15C	HPH15D	HPH15E	HPH15F	5,000 (345)	1/4	50 (15)	3/8
HPH23B	HPH23A			HPH23C	HPH23D	HPH23E	HPH23F	4,000 (276)	3/8	35 (11)	3/8	1/4 npt (m)	
HPH1DB*	HPH1DA*			HPH1DC*	HPH1DD*	HPH1DE*	HPH1DF*	5,000 (345)	3/8	35 (11)	3/8	1/4 npt (f)	
SIZE 20	HPH55B		HPH55A	HPH55C	HPH55D	HPH55E	HPH55F	4,000 (276)	3/8	50 (15)	3/8	1/4 npt (m)	
	HPH5DB*		HPH5DA*	HPH5DC*	HPH5DD*	HPH5DE*	HPH5DF*	4,000 (276)	3/8	50 (15)	3/8	1/4 npt (f)	

* Bare Reel—hose sold separately Wetted parts—bare hose reel only: zinc plated steel, steel, nitrile rubber Dry Weight: 52 lbs (23.5 kg) Instruction Manual: 313431

SD Hose Reel Packages and Accessories

Hose Reels and Packages

SD Reel Packages with Enclosure Kit

	Application	SD Packages	Hose Reel	Hose Inlet Kit	White Enclosure	Valve/Meter	Fitting
Steel Spool	Air/Water	24D989	HPL23B	218549	24A217	—	—
	Air/Water	24D990	HPL25B	218549	24A217	—	—
	Air/Water	24D991	HPL33B	218549	24A217	—	—
	Air	24D992	HPL23B	218549	24A217	218545	—
	Water	24D993	HPL23B	218549	24A217	180685	150287
	Water	24D994	HPL33B	218549	24A217	180685	159842
	Motor Oil	24D995	HPM33B	218549	24A217	—	—
	Motor Oil	24D996	HPM33B	218549	24A217	255350	—
	Motor Oil	24D997	HPM33B	218549	24A217	255348	—

SD Reel Packages without Enclosure Kit

	Application	SD Packages	Hose Reel	Hose Inlet Kit	Enclosure	Valve/Meter	Fitting
Steel Spool	Air	24D998	HPL23B	218549	—	218545	—
	Water	24D999	HPL23B	218549	—	180685	150287
	Motor Oil	24E001	HPM33B	218549	—	255350	—
	Motor Oil	24E002	HPM33B	218549	—	255348	—

Hose Inlet Kits for SD and XD10 and 20	Pressure psi (bar)	Hose id in (mm)	Length in (mm)	Hose Inlet
218549	Low/medium pressure 2000 (137)	1/2 (12)	24 (610)	npt(m)
218550	High pressure 4000 (276)	3/8 (10)	24 (610)	npt(m)
224417	High pressure 5000 (345)	1/4 (6)	24 (610)	npt(m)

Enclosure Kits

Reel Enclose Kits for One Reel	Provides protection to extend the life of hoses and bearings for SD single pedestal reels					
	White*	Metallic Blue	Red	Black	Dark Blue	Yellow
Size 10 Enclosure	24A217	24A940	24A941	24A942	24A943	24A944
Size 20 Enclosure	24A218	24A945	24A946	24A947	24A948	24A949
Size 10 End Caps (2)	—	—	—	24A950	—	—
Size 20 End Caps (2)	—	—	—	24A951	—	—

Enclosure Mounting channel

Description	Enclosure mounting channel kits include all parts for mounting hose reels to walls or ceilings					
	1 Reel	2 Reels	3 Reels	4 Reels	5 Reels	6 Reels
SD10/SD20 Open	24A934	24A935	24A936	24A937	24A938	24A939
XD10/XD20 Open	24A219	24A220	24A221	—	—	24A222
SD Enclosed	203521	203522	203523	203524	203525	203526

Mounting Channel, Brackets and Ball Stop Kits

Retrofit Adapter Kits

24A224	Includes all parts to mount hose reel to existing 500 series mounting pattern
24C100	Includes all parts to convert SD10 hose reels to fit existing 250 series enclosures

Mounting Bracket (Secures mounting channel to I-beam without drilling)

204741	Two brackets are required for 1-3 hose reels; three brackets for 4-6 hose reels
--------	---

Ball Stop Kits

222225	For 1/4 in (6.4 mm) i.d. hose (Not for use with XD30, 700 or 750)
218340	For 1/4-3/8 in (6.4-9.5 mm) i.d. hose (Not for use with XD30, 700 or 750)
218341	.782 ID used for 3/8 in and 1/2 in (9.5 mm and 12.7 mm) hose (Not for use with XD30, 700 or 750)
237872	1.0 ID used for 5/8 in (15.9 mm) hose
237873	1.123 ID used for 3/4 in (19.1 mm) hose
237874	1.374 ID used for 1 in (25.4 mm) hose
24D132	For 3/8 in (9.5 mm) o.d. hose
24D133	For 1/2 in (12.7 mm) o.d. hose



Mounting Bracket



Hose Inlet Kit for SD and XD open reels

XD Series Hose Reels

Hose Reels and Packages

Features and Benefits

- Designed for robust/heavy-duty applications such as mobile lube trucks or large equipment service, yet with a narrow footprint to fit more reels into small spaces
- Dual pedestal frame provides increased strength for extreme-duty applications
- Long lasting spring is sealed for protection against the weather
- Durable steel spool rides on sealed roller bearings to ensure trouble-free performance
- Available in four colors. Metallic blue is standard
- Available with arms removed for bulkhead mounting

Typical Applications

- Heavy-duty truck dealers
- Fleet maintenance
- Mining maintenance
- Public works garages
- Construction vehicle maintenance
- Heavy-duty mobile service trucks
- Mining

Typical Fluids Handled

- Petroleum and synthetic based oils
- Grease
- Fuel evacuation
- Pressure wash
- Air
- Water
- Anti-freeze
- Windshield washer

Note: Hose Inlet Kit for all XD Reels sold separately.

Dimensions

XD SERIES SIZE 10	
A	7.5 in (196 mm)
B	16.2 in (412 mm)
C	21.0 in (533 mm)
D	18.0 in (457 mm)
E	18.5 in (470 mm)
F	22.5 (571 mm)

XD SERIES SIZE 20	
A	7.5 in (196 mm)
B	18.1 in (460 mm)
C	23.4 in (594 mm)
D	20.0 in (508 mm)
E	21.0 in (533 mm)
F	25.2 in (640 mm)

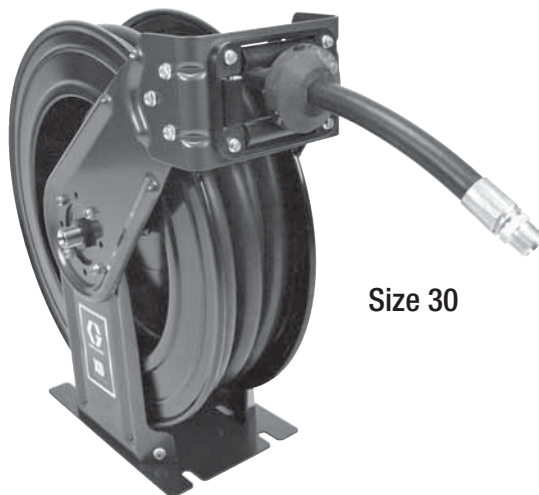
XD SERIES SIZE 30	
A	9.0 in (229 mm)
B	21.50 in (546.00 mm)
C	25.96 in (659.45 mm)
D	22.12 in (561.73 mm)
E	23.10 in (588.00 mm)
F	27.60 in (700.82 mm)



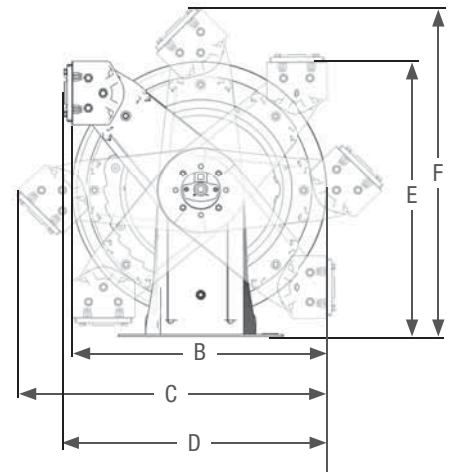
Size 10



Size 20



Size 30



XD Series Hose Reels

Hose Reels and Packages

Ordering Information

Technical Specifications

Applications		Model numbers by color				Pressure psi (bar)	Hose		Connection Size		Operating Temp.	
		Metallic Blue	White	Yellow	Desert Sand		id in	Length ft (m)	Inlet in	Outlet in		
Air, water, Anti-freeze, windshield Washer fluid	SIZE 10	HSL25B	HSL25A	HSL25F	HSL25G	300 (20.7)	3/8	50 (15)	1/2 npsm(m)	3/8 npt(m)	-20–190° F (-28–87° C)	
		HSL33B	HSL33A	HSL33F	HSL33G		1/2	35 (11)		1/2 npt(m)		
	SIZE 20	HSL56B	HSL56A	HSL56F	HSL56G		3/8	65 (20)		3/8 npt(m)		
		HSL65B	HSL65A	HSL65F	HSL65G		1/2	50 (15)		1/2 npt(m)		
	SIZE 30	HSLC8B	HSLC8A	HSLC8F	HSLC8G		1/2	75 (23)		1/2 npt(m)	-40–180° F (-40–82° C)	
		HSLD5B	HSLD5A	HSLD5F	HSLD5G		3/4	50 (15)		3/4 npsm(m)		3/4 npt(m)
Petroleum– and synthetic– based oils	SIZE 10	HSM33B	HSM33A	HSM33F	HSM33G	2,000 (138)	1/2	1/2 npsm(m)	1/2 npt(m)	-20–190° F (-28–87° C)		
		HSM3BB *	HSM3BA *	HSM3BF	HSM3BG				1/2 npt(f)			
	SIZE 20	HSM65B	HSM65A	HSM65F	HSM65G				50 (15)		1/2 npt(m)	
		HSM6DB *	HSM6DA *	HSM6DF *	HSM6DG				50 (15)		1/2 npt(f)	
	SIZE 30**	HSMC8B	HSMC8A	HSMC8F	HSMC8G	1,500 (103)	3/4	3/4 npsm(m)	1/2 npt(m)	-40–180° F (-40–82° C)		
		HSMCFB *	HSMCFA *	HSMCFF *	HSMCFG *	2,000 (138)			75 (23)		1/2 npsm(f)	
		HSMD5B	HSMD5A	HSMD5F	HSMD5G	1,250 (86)	50 (15)		3/4 npt(m)			
		HSMDDB *	HSMDDA *	HSMDDF *	HSMDDG *	2,000 (138)	3/4		3/4 npsm(f)			
Grease	SIZE 10	HSH15B	HSH15A	HSH15F	HSH15G	5,000 (345)	1/4	50 (15)	1/2 npsm(m)	1/4 npt(m)	-40–200° F (-40°–93° C)	
		HSH1DB *	HSH1DA *	HSH1DF *	HSH1DG *		3/8	35 (11)		3/8 npt(f)		
	SIZE 20	HSH55B	HSH55A	HSH55F	HSH55G	4,000 (276)	1/2	50 (15)		1/4 npt(m)		
		HSH5DB*	HSH5DA*	HSH5DF*	HSH5DG*	5,000 (345)				3/8 npsm(f)		
	SIZE 30**	HSHC5B	HSHC5A	HSHC5F	HSHC5G	5,000 (345)	1/2			1/2 npt(m)	-40–180° F (-40–82° C)	
		HSHCDB *	HSHCDA *	HSHCDF *	HSHCDG *					1/2 npsm(f)		
Pressure wash	SIZE 30	HSPB8B	HSPB8A	HSPB8F	HSPB8G	4,000 (276)	3/8		75 (23)	1/2 npsm(m)	3/8 npt(m)	-20–225° F (-28–107° C)
		HSHFFB *	HSHFFA *	HSHFFF *	HSHFFG *						3/8 npsm(f)	
Fuel/Evacuation	SIZE 30	HSLE3B	HSLE3A	HSLE3F	HSLE3G	125 (8.6)	1	30 (9)	3/4 npsm(m)	1 npt(m)	-40–120° F (-40–49° C)	
DEF	SIZE 30	HSDD5B	HSDD5A	HSDD5F	NA	50 (3.4)	3/4	50 (15)	3/4 bspp(m)	3/4 bspp ORB	12–140° F (-11–60° C)	
		HSDDDB	HSDDDA	HSDDDF	NA							

Maximum dry weight with hose: XD10 = 54 lbs (24.5 kg), XD20 = 59 lbs (27 kg), XD30 = 98 lbs (44.5 kg)
Wetted parts—Bare hose reel only: zinc plated steel, anodized aluminum, nitrile rubber
Instruction Manuals: XD10 and XD20: 313431, XD30: 3A0138
* Bare reel—hose sold separately
** Not recommended for overhead installation. Maximum installed height is 7 feet (2.13 meters).

Hose Reels and Packages

XD Series HN Model Hose Reels

Hose Reels and Packages

Features and Benefits

Ideally suited for lube truck installations where space is a premium. Structurally engineered frame and spool is made from high strength steel that won't bend or flex. Long-lasting spring provides constant spring torque through the entire range of motion. Open swivel ports ensure high fluid flow with minimal pressure loss.

Typical Applications

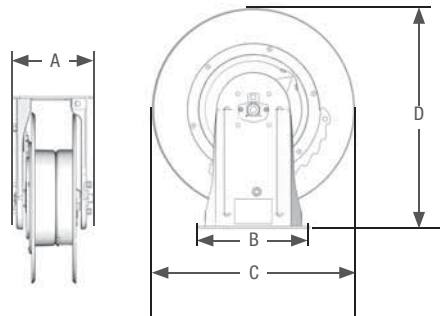
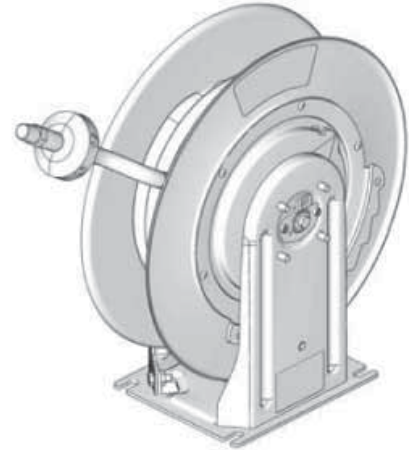
- Mining maintenance
- Public works garages
- Construction vehicle maintenance
- Light-utility service trucks

Typical Fluids Handled

- Petroleum and synthetic based oils
- Grease
- Air/Water
- Anti-freeze
- Fuel Evacuation

Dimensions

XD30 Hose Reels HN Model	
A	9.0" (229 mm)
B	13.77" (350.00 mm)
C	21.50" (546.00 mm)
D	23.10" (588.00 mm)



Ordering Information

Technical Specifications

Applications	Model numbers by color			Pressure psi (bar)	Hose		Connection Size		Operating Temp.		
	Metallic Blue	White	Yellow		id in.(M)	Length ft (m)	Inlet npsm(m)	Outlet			
Air, Water, Anti-Freeze, Windshield Washer Fluid	Size 20	HNL56B	HNL56A	HNL56F	300 (20.7)	3/8	65	1/2 npsm(m)	3/8npt(m)	-20° F to 190° F (-28° C to 87° C)	
		24C246^	24C245^	24C247^	300 (20.7)	3/8	65	1/2 npsm(m)	3/8npt(m)		
		HNL65B	HNL65A	HNL65F	300 (20.7)	1/2	50	1/2 npsm(m)	1/2 npt(m)		
		24C249^	24C248^	24C250^	300 (20.7)	1/2	50	1/2 npsm(m)	1/2 npt(m)		
	Size 30	HNLC8B	HNLC8A	HNLC8F	300 (20.7)	1/2	75	1/2 npsm(m)	1/2 npt(m)		-40° F to 180° F (-40° C to 82° C)
		HNLD5B	HNLD5A	HNLD5F	300 (20.7)	3/4	50	3/4 npsm(m)	3/4 npt(m)		
Petroleum- and synthetic based oils	Size 20	HNMC8B	HNMC8A	HNMC8F	2000 (138)	1/2	50	1/2 npsm(m)	1/2 npt(m)	-20° F to 190° F (-28° C to 87° C)	
		24C252^	24C251^	24C253^	2000 (138)	1/2	50	1/2 npsm(m)	1/2 npt(m)		
	Size 30	HNMD5B	HNMD5A	HNMD5F	1250 (86)	3/4	50	3/4 npsm(m)	3/4 npt(m)	-40° F to 180° F (-40° C to 82° C)	
		HNMDDB*	HNMDDA*	HNMDDF*	2000 (138)	3/4	50	3/4 npsm(m)	3/4 npt(m)		
		HNMC8B	HNMC8A	HNMC8F	1500 (103)	1/2	75	1/2 npsm(m)	1/2 npt(m)		
Grease	Size 20	HNH55B	HNH55A	HNH55F	4800 (331)	3/8	50	3/8 npsm(m)	1/4 npt(m)	-40° F to 200° F (-40° C to 93° C)	
		24C255^	24C254^	24C256^	4800 (331)	3/8	50	3/8 npsm(m)	1/4 npt(m)		
	Size 30	HNHC5B	HNHC5A	HNHC5F	5000 (345)	1/2	50	1/2 npsm(m)	1/2 npt(m)	-40° F to 180° F (-40° C to 82° C)	
		HNHCDB*	HNHCDA*	HNHCDF*	5000 (345)	1/2	50	1/2 npsm(m)	1/2 npt(m)		
Pressure Wash	Size 30	HNPB8B	HNPB8A	HNPB8F	4000 (276)	3/8	75	1/2 npsm(m)	3/8 npt(m)	-20° F to 225° F (-28° C to 107° C)	
		HNHFFB*	HNHFFA*	HNHFFF*	4000 (276)	3/8	75	1/2 npsm(m)	3/8 npsm(f)		
Fuel/ Evacuation	Size 30	HNLE3B	HNLE3A	HNLE3F	1250 (86)	1	30	3/4 npsm(m)	1 npt(m)	-40° F to 100° F (-40° C to 49° C)	

*Bare reel- hose sold separately ^ Reel package includes hose guide kit 15Y478

Wetted parts—bare hose reel only: zinc plated steel, steel, nitrile rubber HN Dry Weight: 64 pounds (29.0 kg) Instruction Manual: 3A0138
Wetted parts—HSL, HSM, HNL, and HNM Models are Nickel Plated Carbon Steel, Aluminum, Buna N Rubber, UHMWPE. HSH, HSP, HNH, and HNP Models are Nickel Plated Stainless Steel, Buna N Rubber, UHMWPE

700 Series Hose Reels

Hose Reels and Packages

Features and Benefits

- Fully ported swivel and shaft for unrestricted flow
- Handles hose lengths up to 75 ft (23 m)
- Heavy-duty ball bearings outlast sleeved-type bearings
- Easy rewind with minimal hose guidance

Typical Applications

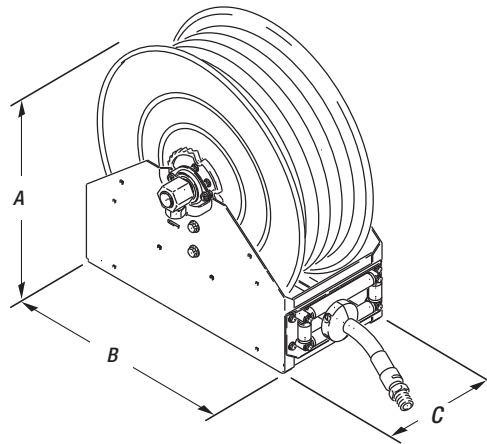
- Heavy-duty truck dealers
- Fleet maintenance
- Mining maintenance
- Public works garages
- Construction vehicle maintenance
- Heavy-duty mobile service trucks
- Mining

Typical Fluids Handled

- Petroleum and synthetic based oils
- Grease
- Fuel evacuation
- Pressure wash
- Air
- Water
- Anti-freeze
- Windshield washer

Dimensions

700 SERIES	
A	26.25 in (628 mm)
B	24.0 in (609 mm)
C	11.83 in (300 mm)



237875 with 237932
Overhead mounting kit.
Includes all parts needed
for ceiling-mounting.

Technical Specifications

Inlet npsm (m)	Outlet npt (m)	Max. Pressure Psi (bar)	Maximum Vacuum	Operating Temp.	Wetted Parts	Weight (bare reel)	Instruction Manual
1 npt(f)	1 npt(f)	1500 psi (bare reel)	24 in Hg	-40° F to 180° F (-40° C to 82° C)	Carbon Steel, Buna	103 lb (46.7 kg)	308546

Ordering Information

Medium-Pressure Oil Dispense Reels (rated to 1500 psi/103 bar)	
237728	Bare Hose Reel
237879 *	Hose Reel with 3/4 in x 75 ft (19.1 mm x 23 m) hose
Medium-Pressure Oil Evacuation and Dispense Reels (rated to 212 psi/14.6 bar)	
241910 *	Hose Reel with 1 in x 50 ft (25.4 mm x 15 m) hose; 24 in (0.3 m) Hg vacuum
Medium-Pressure Fuel Dispense Reel (rated to 125 psi/8.6 bar)	
237884 *	Hose Reel with 1 in x 50 ft (25.4 mm x 15 m) hose

* Not recommended for overhead installation

700 Series Hose Reels

Hose Reels and Packages

Features and Benefits

- Heavy-duty, high volume reel
- Industrial-grade paint for high abrasion and corrosion resistance
- Full-flow shaft
- Heavy-duty brackets and springs
- Rugged base and hose rollers
- Heavy-duty latch mechanism

Typical Applications

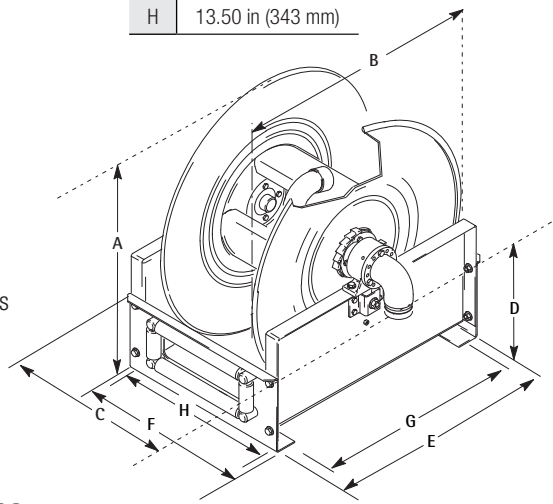
- Heavy-duty truck dealers
- Fleet maintenance
- Mining maintenance
- Public works garages
- Construction vehicle maintenance
- Heavy-duty mobile service trucks
- Mining

Typical Fluids Handled

- Petroleum and synthetic based oils
- Water
- Anti-freeze
- Unleaded and diesel fuels

Dimensions

750 Series	
A	26.25 in (667 mm)
B	26.25 in (667 mm)
C	21.88 in (556 mm)
D	13.75 in (349 mm)
E	24.25 in (616 mm)
F	17.50 in (445 mm)
G	22.125 in (562 mm)
H	13.50 in (343 mm)



Technical Specifications

Inlet npsm (m)	Outlet npt (m)	Max. Pressure Psi (bar)	Hose Capacity	Operating Temp.	Wetted Parts	Weight (bare reel)	Instruction Manual
1-1/2 npt(f)	1-1/2 npt(f)	375 psi (26 bar)	50 ft (15.2m) x 1.50 in ID Hose	150° F (65° C)	Carbon Steel, Buna	139 lbs (63 kg)	309442

Ordering Information

Bulk Dispense Reels (rated to 125psi/8.6 bar)	
245410	Bare hose reel

XD, 700 and 750 Series Hose Reel Accessories

Hose Reels and Packages

Ordering Information

Reel Enclosure Mounting Channel	Accommodates one, two, three, four, five or six reels (includes all parts for wall or ceiling mounts)					
	1 Reel	2 Reels	3 Reels	4 Reels	5 Reels	6 Reels
SD10/SD20 Open	24A934	24A935	24A936	24A937	24A938	24A939
XD10/XD20 Open	24A219	24A220	24A221	—	—	24A222
SD Enclosed	203521	203522	203523	203524	203525	203526

Retrofit Adapter Kits

24A224	Includes all parts to mount hose reel to existing 500 series mounting pattern
24C100	Includes all parts to convert SD10 hose reels to fit existing 250 series enclosures

Mounting Bracket

204741	Secures mounting channel to I-beam without drilling. Two brackets are required for 1-3 hose reels; three brackets for 4-6 hose reels
--------	--

Ball Stop Kits

Ball Stop Kits	Typical Hose id
222225	For 1/4 in (6.4 mm) i.d. hose (Not for use with XD30, 700 or 750)
218340	For 1/4-3/8 in (6.4-9.5 mm) i.d. hose (Not for use with XD30, 700 or 750)
218341	.782 ID used for 3/8 in and 1/2 in (9.5 mm and 12.7 mm) hose (Not for use with XD30, 700 or 750)
237872	1.0 ID used for 5/8 in (15.9 mm) hose
237873	1.123 ID used for 3/4 in (19.1 mm) hose
237874	1.374 ID used for 1 in (25.4 mm) hose
24D132	For 3/8 in (9.5 mm) o.d. hose
24D133	For 1/2 in (12.7 mm) o.d. hose

Hose Inlet Kits for SD and XD10 and 20	Pressure psi (bar)	Hose id in (mm)	Length in (mm)	Hose Inlet	
218549	Low/medium pressure	2000 (137)	1/2 (12)	24 (610)	npt(m)
218550	High pressure	4000 (276)	3/8 (10)	24 (610)	npt(m)
224417	High pressure	5000 (345)	1/4 (6)	24 (610)	npt(m)
Hose Inlet Kits for XD30	Pressure psi (bar)	Hose id in (mm)	Length in (mm)	Hose Inlet	
24E283	High pressure	5000 (345)	1/2 (12)	24 (610)	npt(m)
24E284	Low/medium pressure	1250 (86)	3/4 (19)	24 (610)	npt(m)
24E285	Low pressure (for fuel)	125 (8.6)	1/2 (12)	24 (610)	npt(m)

700 Series Reels Accessories

237932*	Overhead mounting kit includes all parts needed for ceiling-mounting reel (one required per reel)
237944*	Roller support kit includes roller support accessories for ceiling mounted reels (reel not included)
109064	Hose inlet kit 1 (mbe) x 28 in (71 cm)

*Required for overhead mounting

DEF Hoses

124875	DEF hose, 2 ft, 3/4 in BSPP (M) x cut end (inlet hose)
124581	DEF hose, 6 ft, 3/4 in BSPP (M) x cut end (inlet hose)

Valve Hanger Kit

224444	Mounts to side of reel to allow hanging of non-metered and high flow dispensing valves
--------	--

Metal Label Kits (includes one 3/4 in x 4-1/4 in (1.9 cm x 10.8 cm) metal label and mount)

218670	Motor oil	218675	Air	218674	Hydraulic Oil
218671	Grease	218676	Water	218673	ATF
218672	Gear lube	218677	Anti-freeze	218678	Evacuation

Self Adhesive Identification Label Set

180698	Set includes: 1 in x 5 in (25.4 mm x 127 mm) hose reels labels for Anti-Freeze, Water, SAE 5-40, SAE 10-40, SAE 20W, Hydraulic, Gear, SAE 10W, SAE 10-30, SAE 30W, Dexron, Air, Chassis, ATF
--------	--



Mounting Channel



Retrofit Bracket to fit 500 Series



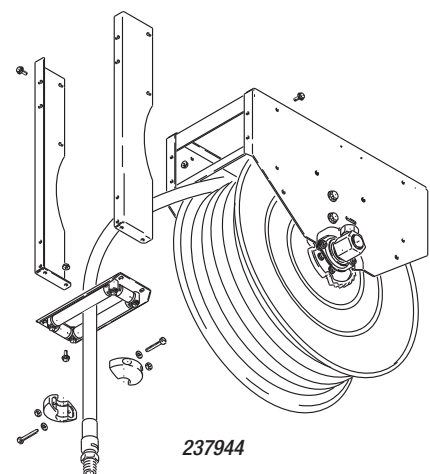
Mounting Bracket



Ball Stop Kit



Hose Inlet Kit for SD and XD open reels



237944