



SJH series - stainless steel

Self-Priming Shallow Well Jet Pumps



SJH models provide excellent performance with good pressure for wells to 25' deep. Self-priming after the priming chamber has been filled with water.

APPLICATIONS

■ **Water systems and sprinkling...** for homes, farms and cottages.

SPECIFICATIONS

Maximum Liquid Temperature Limits – 122°F (50°C)

Max. Inlet Pressure: 50 PSI

Average Priming Time at 20 Feet:

07SJH11C = 5.3 min.

10SJH11C = 4.2 min.

Body – 304 Stainless steel

Jet Assembly, Diffuser, Impeller – Noryl®

Shaft – One-piece threaded, 416 grade stainless steel

Base – Polypropylene

ORDERING INFORMATION

Catalog No.	HP	Switch Setting	Description	Pipe Tapping Sizes		Motor Voltage	Approx. Wt. Lbs.
				Suct.	Disch.		
7SJH	3/4	30-50	Shallow Well Jet	1-1/4"	1"	115/230	26
10SJH	1	40-60	Shallow Well Jet	1-1/4"	1"	115/230	29

FEATURES

Corrosion Free – Stainless steel pump body provides maximum resistance to corrosion

Built-in Jet – High strength thermoplastic components are corrosion resistant.

Mechanical Shaft Seal – Highly polished carbon-ceramic and stainless steel construction.

Motor Windings – Superior insulation materials protect against excessive moisture and contaminants... assure prolonged motor life.

Balanced Rotor – Die cast under high pressures for uniform performance and greater efficiency, dynamically balanced.

Heavy-duty Ball Bearings – Shielded, permanently lubricated bearings, extensively tested to ensure extended life and smooth, quiet operation.

Pump and Motor Shaft – Stainless steel for maximum corrosion resistance; one-piece threaded shaft for positive impeller drive and alignment.

Dustproof Cover – All electrical components are protected from dirt, dust and insects by a dustproof canopy; ventilating air cannot contaminate vital switching components.

Pressure Switch – Quality, fixed differential (20 PSI).

Noryl® is a registered trademark of General Electric Co. PRO-Source™ is a trademark of Pentair Water.

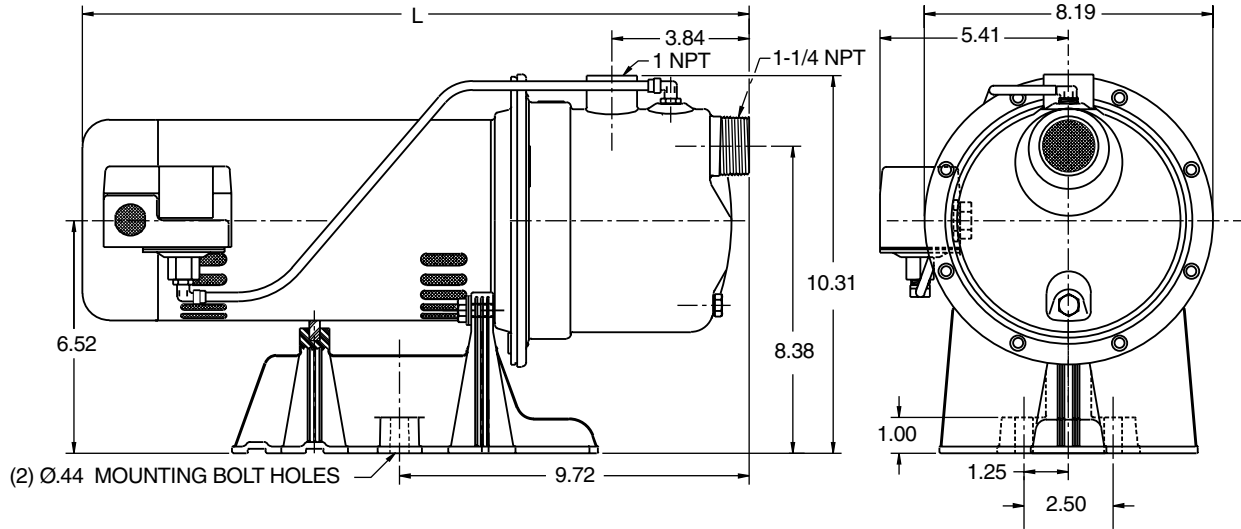
In order to provide the best products possible, specifications are subject to change.



SJH series - stainless steel

Self-Priming Shallow Well Jet Pumps

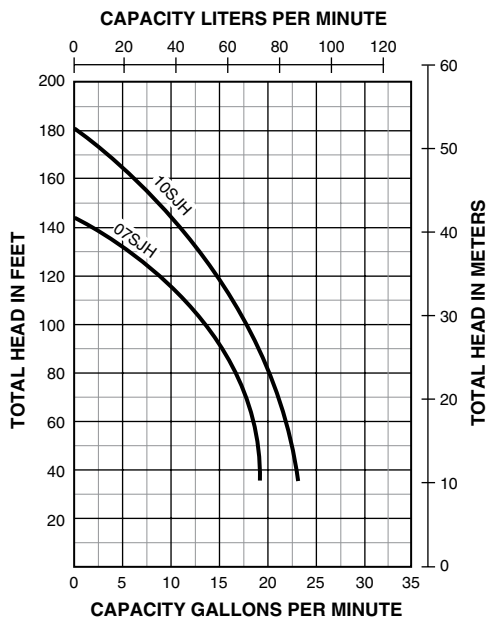
OUTLINE DIMENSIONS



Cat. No.	L
7SJH	18.19
10SJH	19.25

Dimensions (in inches) are for estimating purposes only.

PUMP PERFORMANCE



2.31 FT. OF HEAD = 1 PSI
1 FT. OF HEAD = .433 PSI

PUMP PERFORMANCE (Capacity in Gallons Per Minute)

Catalog Number	HP	Disch. Pressure PSI	Depth to Water					Shut-Off Pressure PSI
			5'	10'	15'	20'	25'	
07SJH11C	3/4	30	16.1	14.4	12.6	10.1	7.5	64
		40	11	11	11	9	7.2	
		50	5.8	5.8	5.8	5.8	5.8	
10SJH11C	1	30	16.8	15.2	12.9	10.8	7.6	80
		40	15.4	14.3	12.3	10.3	7.3	
		50	9.5	9.5	9.5	9.5	7.1	

Tested and rated in accordance with Water Systems Council Standards.

NOTE: 7SJH used 30-50 PSI pressure switch, 10SJH used 40-60 PSI pressure switch.

Pumps installed with a PRO-Source™ tank require a 100 PSI relief valve. Pumps installed with a conventional tank require a 75 PSI relief valve. Relief valve must be capable of relieving entire flow of pump at relief pressure.