



ECC5 series

Self-Priming Centrifugal Pump



The ECC5 Series self-priming centrifugal pump is a rugged cast iron pump capable of priming up to 20' vertically and will handle solids up to 0.225" diameter. The unit is equipped with a 1/2 HP 115 Volt motor and features 1-1/4" suction and discharge.

APPLICATIONS

- Effluent and Wastewater Removal
- Sump Drainage
- Dewatering
- Circulation
- Fountains

SPECIFICATIONS

- Volute** – Cast iron
- Impeller** – Polycarbonate
- Diffuser** – Reinforced polypropylene
- Shaft** – One-piece threaded stainless steel
- Base** – Steel 10 gauge
- Max. Liquid Temperature Limits** – 130°F (55°C)

FEATURES

- Motor** – 1/2 HP, 3450 RPM, 115 Volt split phase, 60 Hz. Built-in thermal overload protection with automatic reset.
- Mechanical Seal** – Buna-N elastomers, carbon and ceramic sealing faces, stainless steel metal part.
- Heavy-duty Ball Bearings** – Shielded, permanently lubricated bearings, extensively tested to ensure extended life and smooth, quiet operation.
- Built-in Convenience** – Comes complete with built-in overload protection with automatic reset and a built-in check valve.
- Power Cord** – 10', 110V

ORDERING INFORMATION

Catalog Number	HP	Max. Load Amps	Volts	Phase/Cycles	Automatic
ECC55010MB	1/2	9.4	115	1/60	No

BERKELEY® is a registered trademark of Pentair Water.

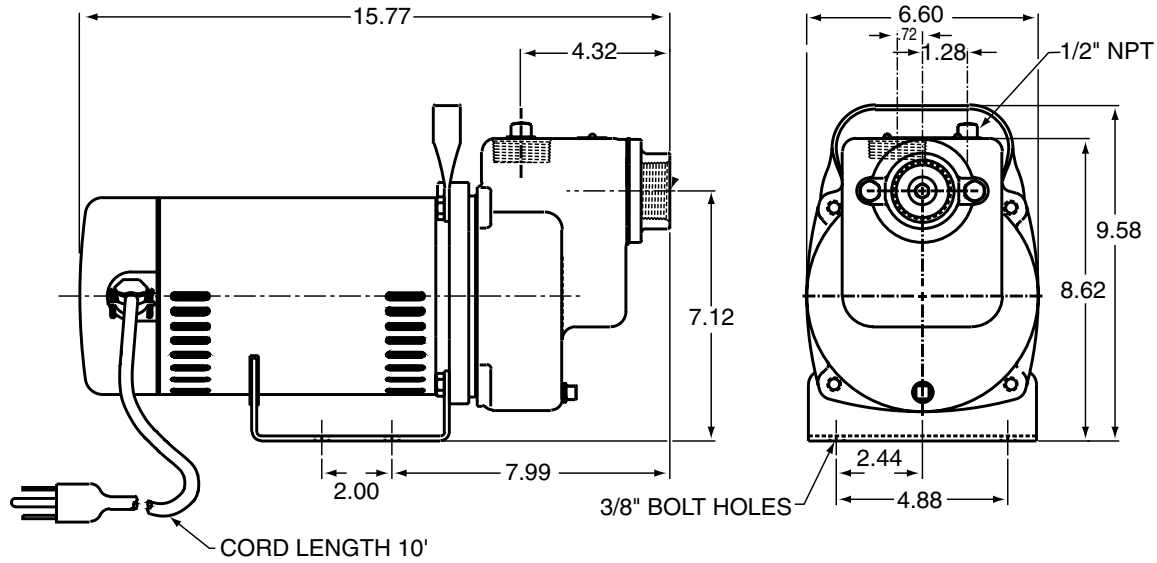
In order to provide the best products possible, specifications are subject to change.



ECC5 series

Self-Priming Centrifugal Pump

OUTLINE DIMENSIONS



NOTE: 1-1/4" SUCTION AND DISCHARGE
ALL DIMENSIONS ± .06

Dimensions (in inches) are for estimating purposes only.

PUMP PERFORMANCE

