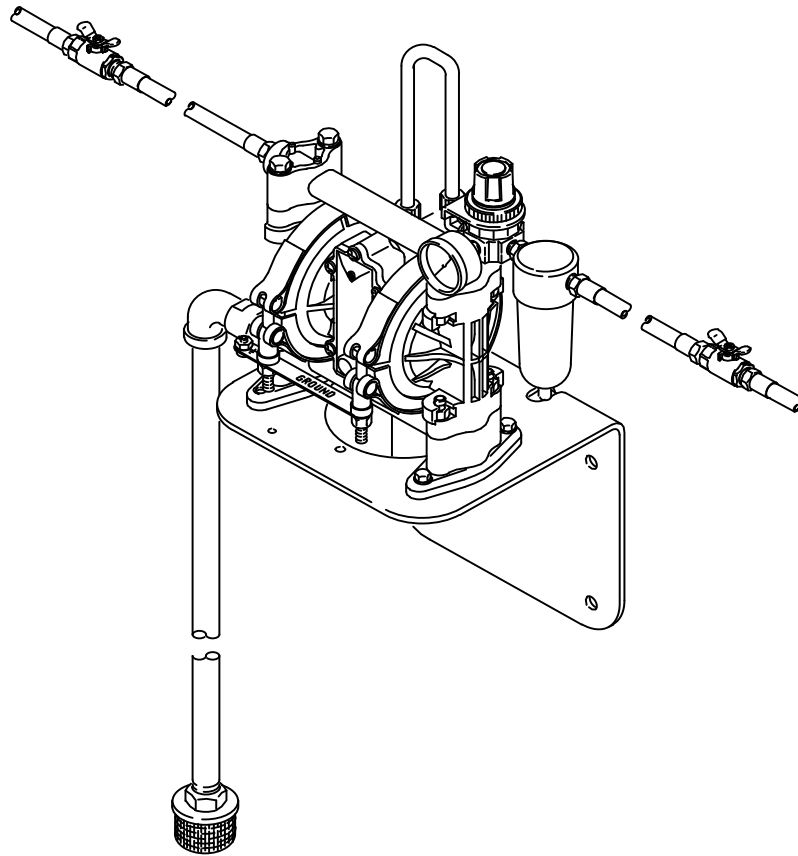


Windshield Wash and Coolant Dispense

Specialty Pumps and Packages

Packages for Pre-Mixed Windshield Wash Solvent and Coolant Dispense

307 Air-Operated Double-Diaphragm Pump	
237161	Complete package includes the following: 307 Diaphragm Pump (D31255), 6 ft (1.8 m) air hose (109125), 4 ft (1.2 m) coupled nitrile fluid hose (220596), air filter (110146), air gauge (108190), air line fitting (111511), 1/4 npt air regulator (110318), elbow (100611), 15 in (381 mm) 3/8 in ID tube, (187479), mounting bracket (190125), adapter (156022), 1/4-18 npt nipple (156971), suction hose kit (223888), 6 ft (1.8 m) coupled PVC hose and 304 SST 16 mesh strainer, wall bracket (224835)
237160	Includes all items listed above except diaphragm pump and wall bracket



Bulk Anti-Freeze and Windshield Solvent Transfer Packages

Description	1050 AODD	1050 AODD	716 AODD	716 AODD
	Dual Inlet	Single Inlet	Dual Inlet	Single Inlet
Package Number	244679	244680	244681	244682
Pump	647016	647016	243669	241906
Air Regulator	109075	109075	110147	110147
Fluid Connect Hose	115042	115042	109105	109105
Air Connect Hose	205418	205418	109125	109125
Air Shut-off Valve	110224	110224	110223	110223
Wall Mount Bracket	24C637	24C637	224835	224835
Dual Inlet Manifold	685984	—	—	—
Suction Kit	2-236054	236054	2-236054	236054
Thermal Relief Kit	238428	238428	113497	113497
Instruction Manual	309353	309353	309353	309353