

## C200 MicroTurbine Hazardous Location



World's largest air-bearing microturbine produces 200kW of clean, green, and reliable power.

- Ultra-low emissions
- One moving part – minimal maintenance and downtime
- Patented air bearing – no lubricating oil or coolant
- 5 and 9 year Factory Protection Plans available
- Remote monitoring and diagnostic capabilities
- Proven technology with tens of millions of run hours and counting
- High humidity protection, conformal coated and greased electronics, and anti-condensation heaters
- Stainless steel, purged and pressurized enclosure for operation in potentially explosive atmospheres



C200 Hazardous Area

### Electrical Performance<sup>(1)(2)</sup>

Electrical Power Output	200kW
Voltage	400–480 VAC
Electrical Service	3-Phase, 4 wire
Frequency	50/60 Hz
Maximum Output Current	310A RMS, stand alone operation <sup>(3)</sup>
Electrical Efficiency LHV	33%

### Fuel/Engine Characteristics<sup>(1)</sup>

Natural Gas HHV	30.7–47.5 MJ/m <sup>3</sup> (825–1,275 BTU/scf)
Inlet Pressure <sup>(4)</sup>	517–552 kPa gauge (75–80 psig)
Fuel Flow HHV	2,400 MJ/hr (2,280,000 BTU/hr)
Net Heat Rate LHV	10.9 MJ/kWh (10,300 BTU/kWh)

### Exhaust Characteristics<sup>(1)</sup>

NO <sub>x</sub> Emissions @ 15% O <sub>2</sub> <sup>(5)</sup>	< 9 ppmvd (18 mg/m <sup>3</sup> )
NO <sub>x</sub> / Electrical Output <sup>(5)</sup>	0.14 g/bhp-hr (0.4 lb/MWhe)
Exhaust Gas Flow	1.3 kg/s (2.9 lbm/s)
Exhaust Gas Temperature	280°C (535°F)
Exhaust Energy	1,420 MJ/hr (1,350,000 BTU/hr)

*Reliable power when and where you need it. Clean and simple.*

## Dimensions & Weight<sup>(6)</sup>

Width x Depth x Height	1.9 x 3.2 x 3.1 m (74 x 126 x 122 in)
Weight – Dual Mode Model	4545 kg (10,000 lb)

## Minimum Clearance Requirements<sup>(7)</sup>

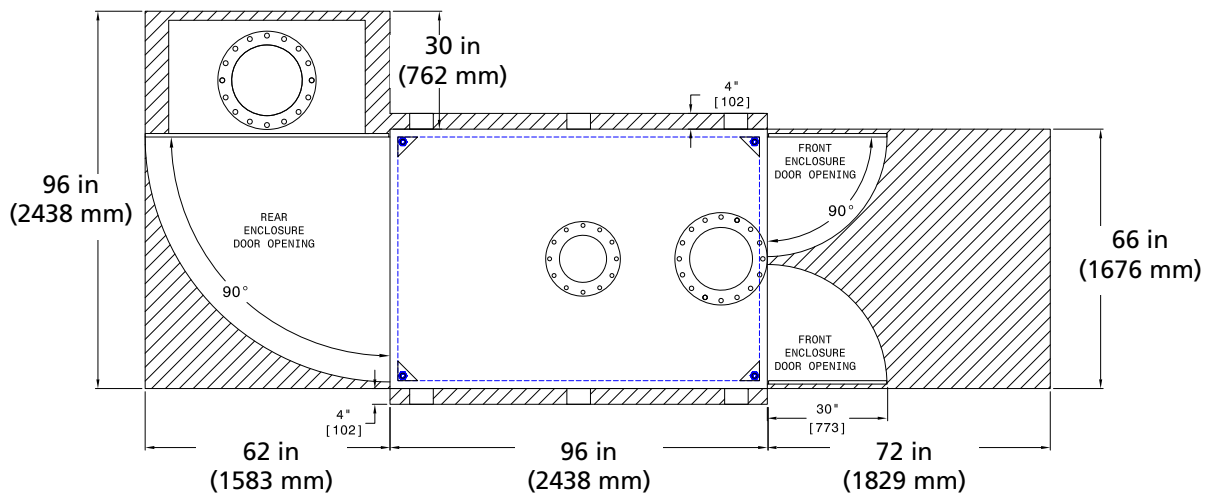
Vertical Clearance	application determined by inlet and exhaust ducting
Horizontal Clearance	
Left & Right	see diagram below
Front	1.6 m (62 in)
Rear	1.8 m (72 in)

## Sound Levels

Acoustic Emissions at Full Load Power	
Nominal at 10 m (33 ft)	< 65 dBA

## Certifications

- UL 1741 certified Inverter
- Complies with IEEE 1547
- ATEX Class 1, Zone 2



Service Area Requirements

- (1) Nominal full power performance at ISO conditions: 59°F, 14.696 psia, 60% RH
  - (2) Requires external power for purge/pressure system and internal heaters
  - (3) With linear load
  - (4) Inlet pressure for standard natural gas at 39.4 MJ/Nm<sup>3</sup> (1,000 BTU/scf) (HHV)
  - (5) Emissions for standard natural gas at 39.4 MJ/Nm<sup>3</sup> (1,000 BTU/scf) (HHV)
  - (6) Approximate dimensions and weight
  - (7) Clearance requirements may increase due to local code considerations
- Specifications are not warranted and are subject to change without notice.*

