

SDV15 Control Valve

Dispense Meters and Control Valves

Features and Benefits

- Moves fluid up to 15 gpm (56.8 lpm) *(15 gpm obtained with high-flow nozzle—purchased separately)*
- Sturdy cast body designed for use in tough environments
- Lock-on trigger
- 1/2 in npt(f) inlet with built-in ball bearing swivel allows for ergonomic operation
- Inlet screen aids in keeping fluids clean

Typical Applications

- Automotive dealerships
- Heavy-duty dealerships
- Fast lube centers
- Fleet service facilities
- Service shops
- In-plant
- Lube trucks
- Mining

Typical Fluids Handled

- Motor oils
- Transmission fluid
- Anti-freeze

Technical Specifications

Maximum Recommended Flow Rate	15 gpm (18.9 lpm)
Maximum Operating Pressure.....	1500 psi (103 bar)
Weight	0.4 lb (0.18 kg)
Operating Temperature Range.....	-40°–180° F (-40°–82° C)
Inlet	1/2 npt
Outlet.....	3/4 in, 16 straight thread O-ring boss
Wetted Parts.....	Aluminum, sst, cs, acetal, nitrile rubber, tpe
Warranty	Five years
Instruction Manual	312789

1. Tested in 10W oil at 70° F. Flow rates vary with fluid pressure, temperature, viscosity, inlet fitting and nozzle type.

Ordering Information

SDV15 Control Valves	
247712	1/2 in npt(f) swivel, locking open trigger, rigid extension and standard automatic non-drip quick-close nozzle for oil products
247713	1/2 in npt(f) swivel, locking open trigger, flexible extension and standard automatic non-drip quick-close nozzle for oil products
247714	1/2 in npt(f) swivel locking open trigger, gear lube extension and standard quick-close nozzle
247715	1/2 in npt(f) swivel locking open trigger, rigid extension and standard quick-close nozzle for anti-freeze
247716	1/2 in npt(f) swivel locking open trigger, flexible extension and standard quick-close nozzle for anti-freeze
Bare Valve (no extension)	
247717	1/2 in npt(f) swivel locking open trigger, 3/4 in - 16(f) straight thread O-ring boss outlet, and trigger lock, no extension
Accessories	
256164	Filter kit includes (10) filters/strainers (185416)
255459	Quick-close nozzle only for oil
255460	Quick-close nozzle only for anti-freeze
255470	Quick-close nozzle only for gear lube
255857	Non-drip quick-close high-flow nozzle with rigid extension for oil and anti-freeze
255858	Non-drip quick-close high-flow nozzle with flexible extension for oil and anti-freeze
255461	Quick-close high-flow nozzle only for oil and anti-freeze



247712

XDV20 Control Valve

Dispense Meters and Control Valves

Features and Benefits

- Moves fluid up to 20 gpm (76 lpm)
- Lock-on/lock-off trigger for hands-free operation
- Rugged cast-body design withstands harsh environments
- Built-in ball bearing swivel allows for ergonomic operation
- Inlet screen aids in keeping fluids clean
- Quick close high flow nozzle for high volume dispensing—moves fluids fast!

Typical Applications

- High-flow, non-metered oil dispense
- Automotive dealerships
- Heavy-duty dealerships
- Fast lube centers
- Fleet service facilities
- In-plant
- Lube trucks
- Mining

Typical Fluids Handled

- Motor oils
- Transmission fluid
- Anti-freeze

Technical Specifications

Maximum Recommended Flow Rate	20 gpm (45.4 lpm)
Maximum Operating Pressure.....	1500 psi (105 bar)
Assembly Weight (no meter)	0.4 lb (0.18 kg)
Operating Temperature Range.....	-40°–180° F (-40–82° C)
Inlet	1/2 npt and 3/4 npt
Outlet.....	7/8-14 straight thread o-ring boss
Wetted Parts.....	aluminum, SST, CS, acetal, nitrile rubber, Geolast
Instruction Manual	308642

Ordering Information

XDV20 Control Valves	
247718	1/2 npt(f) swivel inlet, 1/2 in (12.7 mm); rigid extension, high flow, quick-close nozzle
247721	1/2 npt(f) swivel inlet, 1/2 in (12.7 mm); flexible extension, high flow, quick-close nozzle
247722	3/4 npt(f) swivel inlet, 1/2 in (12.7 mm); rigid extension, high flow, quick-close nozzle
247723	3/4 npt(f) swivel inlet, 1/2 in (12.7 mm); flexible extension, high flow, quick-close nozzle
Bare Valves (no extension)	
247724	Has locking trigger and in-line flow through 1/2 npt(f) swivel inlet; 7/8-14 straight thread O-ring boss outlet
247725	Has locking trigger and in-line flow through 3/4 npt(f) swivel inlet; 7/8-14 straight thread O-ring boss outlet
Accessories	
255793	Quick-close high flow nozzle for oil, ATF and anti-freeze; 7/8-14 straight thread O-ring boss inlet (XDV20 only)
255859	Flex extension with quick-close nozzle (255793) for XDV20
255921	Rigid extension with quick-close nozzle (255793) for XDV20



247722



247724

Grease Dispense Valves

Dispense Meters and Control Valves

Pro Shot™ Non-Metered Grease Valves

- Rugged design for harsh environments
- Pressure-assisted trigger for ease of operation
- Easy top adjustment with locking nut
- Pro-Shot adjustment nut protected by rigid guard

Typical Applications

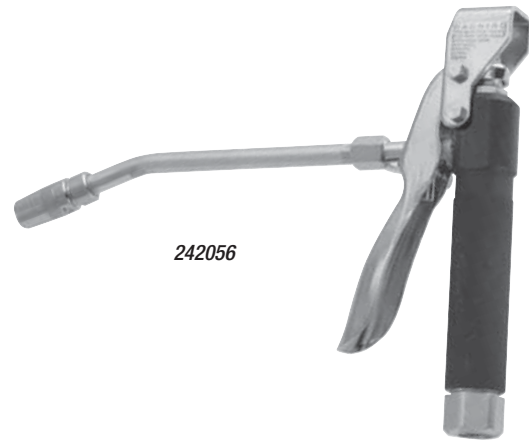
- Service shops
- Heavy-duty dealerships
- Fast lube centers
- Automotive dealerships
- In-plant
- Lube trucks
- Mining

Typical Fluids Handled

- Grease up to NLGI #2

Ordering Information

Pro-Shot Grease Dispense Valve	
242056	1/4 npt(f) inlet with coupler and extension 200389
242055	1/4 npt(f) inlet without coupler or extension
242058	3/8 npt(f) inlet with coupler and extension 200389
242057	3/8 npt(f) inlet without coupler or extension
224872	Includes 30 in (76.2 cm) whip hose (109148), Z-Swivel (202577) and grease valve (242056)



Accu-Shot™ Metered Grease Valves

- Accurate grease metering within $\pm 3\%$
- Easy-to-read LCD display
- Handles pressure up to 5000 psi (345 bar) and flow up to 36 oz/min (1 kg/min)

Typical Applications

- Lube trucks
- Heavy-duty dealerships
- In-plant
- Fleet service facilities
- Mining

Typical Fluids Handled

- Grease up to NLGI #2

Ordering Information

Accu-Shot Electronic Metered Grease Valve	
233807	U.S. Measurement, includes extension and hydraulic coupler
233933	Metric Measurement, includes extension and hydraulic coupler

