



FN series - cast iron

Self-Priming Shallow Well Jet Pumps



The FN Series provides strong performance with good pressure for wells to 25' deep. Self-priming after the priming chamber has been filled with water.

APPLICATIONS

■ **Water systems and sprinkling...** for homes, farms and cottages.

SPECIFICATIONS

5FN Priming Time:
at 15': 2.25 minutes max.
at 25': 6.5 minutes max.
7FN Priming Time:
at 15': 1.7 minutes max.
at 25': 4.4 minutes max.

Max. Liquid Temperature: 140°F
5FN Max. Inlet Pressure: 60 PSI
7FN Max. Inlet Pressure: 50 PSI
Max. Inlet PSI + Pump Discharge PSI: not to exceed 100 PSI

Body and Base – Close-grained cast iron

Nozzle – High strength polycarbonate

Venturi – Polycarbonate

Impeller – Noryl®

Diffuser – Reinforced polypropylene

Shaft – One-piece threaded stainless steel

ORDERING INFORMATION

Catalog Number	HP	Switch Setting	Description	Pipe Tapping Sizes		Motor Voltage	Approx. Wt. Lbs.
				Suct.	Disch.		
5FN	1/2	30-50	Shallow Well Jet	1-1/4"	1"	115/230	46
7FN	3/4	30-50	Shallow Well Jet	1-1/4"	1"	115/230	47

FEATURES

Quality Construction – Close-grained cast iron body and base, specially treated for corrosion resistance. Drain port provided for easy winterizing.

Built-in Jet – High strength polycarbonate nozzle and venturi for maximum resistance to corrosion and abrasion. Clean out plug provided for ease of service.

Noryl® Impeller – Precision-molded for perfect balance... ultra-smooth for highest performance and efficiency.

Precision Molded Diffuser – Pump primes faster, handles more air, with multi-port, precision-molded, reinforced polypropylene diffuser.

Mechanical Shaft Seal – Precision lapped and highly polished carbon-ceramic, stainless steel construction. Internal design guarantees continuous water lubrication.

Motor Windings – Superior insulation materials protect against excessive moisture and contaminants... assure prolonged motor life.

Balanced Rotor – Die cast under high pressures for uniform performance and greater efficiency, dynamically balanced.

Heavy-duty Ball Bearings – Sealed, permanently lubricated bearings, extensively tested to ensure extended life and smooth, quiet operation.

Pump and Motor Shaft – Stainless steel for maximum corrosion resistance; one-piece threaded shaft for positive impeller drive and alignment.

Dustproof Cover – All electrical components are protected from dirt, dust and insects by a dustproof canopy; ventilating air cannot contaminate vital switching components.

Pressure Switch – Adjustable cut-in and fixed differential (20 PSI).

Noryl® is a registered trademark of General Electric Co. PRO-Source™ is a trademark of Pentair Water.

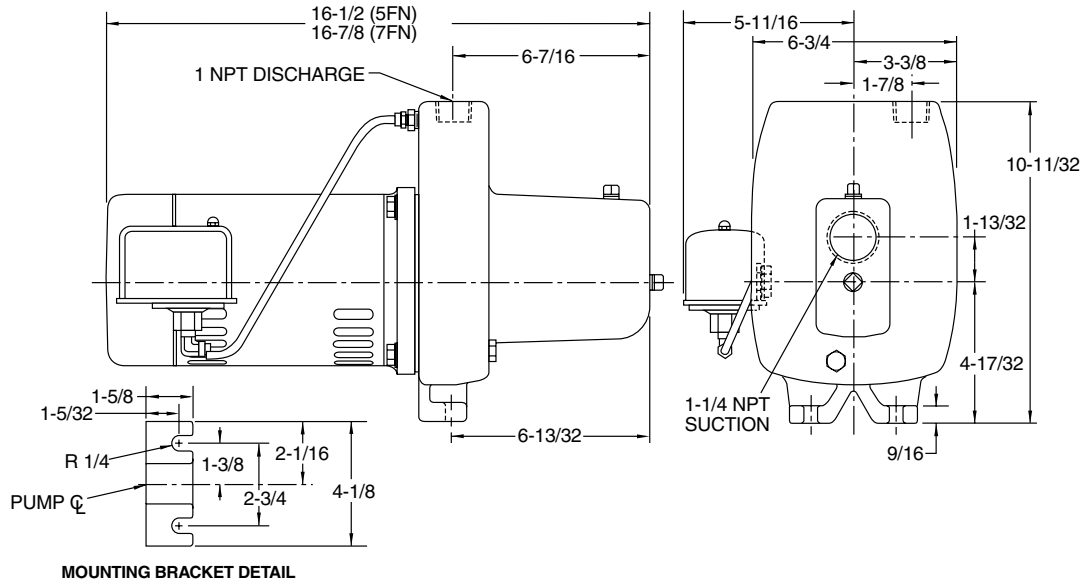
In order to provide the best products possible, specifications are subject to change.



FN series - cast iron

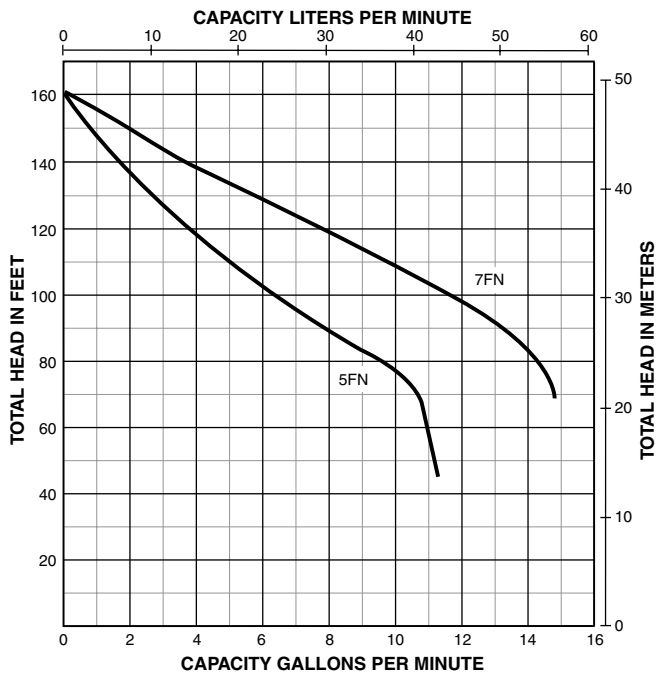
Self-Priming Shallow Well Jet Pumps

OUTLINE DIMENSIONS



Dimensions (in inches) are for estimating purposes only.

PUMP PERFORMANCE



PUMP PERFORMANCE

Cat. No.	HP	Disch. Pressure		Dynamic Suction Lift					Shut-Off Pressure PSI
		PSI	Feet Head	5'	10'	15'	20'	25'	
5FN	1/2	20	46.2	9.8	8.8	7.5	6.2	4.5	69
		30	69.3	9.2	8.2	7.2	5.9	4.2	
		40	92.4	6.9	6.0	5.3	4.5	4.0	
		50	115.5	3.8	3.5	2.7	1.9	1.4	
7FN	3/4	30	69.3	15.0	13.0	11.6	8.7	6.9	70
		40	92.4	12.5	11.4	10.1	8.2	6.8	
		50	115.5	8.0	6.8	6.1	4.8	3.5	

Pump will operate at all depths shown, with pressure switch set at 30-50 PSI.

Tested and rated in accordance with Water Systems Council Standards.

NOTE: Pumps installed with a PRO-Source™ tank require a 100 PSI relief valve. Pumps installed with a conventional tank require a 75 PSI relief valve. Relief valve must be capable of relieving entire flow of pump at relief pressure.