

# Jet Tank Packages



**PRO-Source™ Water System Packages are handy and economical pump/tank packages for the professional contractor. The PRO-Source Water System Packages utilize the ProJet™ cast iron jet pumps and the dependable PRO-Source quality**

**pressurized steel tanks. Plumbing connections are made using galvanized fittings and 3-ply nylon reinforced vinyl tubing with stainless steel hose clamps. Ideal for installations where there is limited space.**

## APPLICATIONS

- Water systems, sprinkling and pressure boosting... for homes, farms and cottages.

## SPECIFICATIONS

- Max. Liquid Temperature** – 120°F (49°C)
- Max. Inlet Pressure** – 50 PSI
- Pump Discharge PSI** – Not to exceed 100 PSI

## FEATURES

### ProJet Jet Pumps

- Body** – Close-grained cast iron
- Nozzle** – High strength polycarbonate
- Venturi** – Polycarbonate
- Impeller** – Noryl®
- Diffuser** – Reinforced polypropylene
- Shaft** – 416 stainless steel
- Base** – Steel, 10 gauge

### PRO-Source Pressurized Tanks

- Shell** – Heavy gauge steel
- Base** – High-impact composite; polypropylene
- Finish** – Baked-on polyester paint
- Water Cell** – PVC made from FDA listed material
- Flange** – Reinforced polypropylene
- Connections** – Galvanized
- Tubing** – 3-ply nylon reinforced vinyl with stainless steel hose clamps

## ORDERING INFORMATION

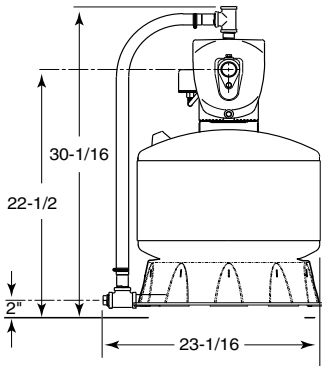
Jet/Tank Catalog Number	HP	Jet Pump Type	Pump Cat. No	Tank Cat. No.	Tank Style	Tank Capacity U.S. Gal.	Drawdown @30-50 PSI Switch Set.	Connection Size Female	Approx. Wt. Lbs.
5HNP42	1/2	Shallow Well	5HN	PS19S-T02	Vertical	19	5.8	1" NPT	120
5SNP42	1/2	Shallow Well	5SN	PS19S-T02	Vertical	19	5.8	1" NPT	120
5SLP42*	1/2	Deep Well	5SL	PS19S-T02	Vertical	19	5.8	1" NPT	127
7SLP42*	3/4	Deep Well	7SL	PS19S-T02	Vertical	19	5.8	1" NPT	130

\*Shallow well/deep well jet package included.

Noryl® is a registered trademark of General Electric Co. ProJet™ and PRO-Source™ are trademarks of Pentair Water. In order to provide the best products possible, specifications are subject to change.

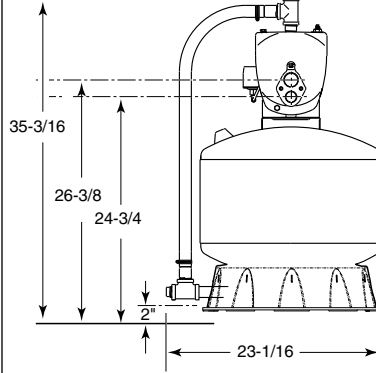
# Jet Tank Packages

## OUTLINE DIMENSIONS - SHALLOW WELL



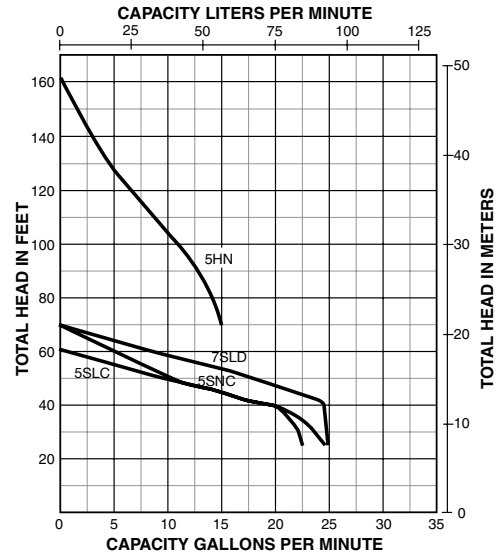
Dimensions (in inches) are for estimating purposes only.

## OUTLINE DIMENSIONS - DEEP WELL



Dimensions (in inches) are for estimating purposes only.

## PUMP PERFORMANCE



## TANK DRAWDOWN (In Gallons)

Tank Catalog Number	Pressure Switch Setting		
	20-40	30-50	40-60
PS19S-T02	6.9	5.8	5.0

## SHALLOW WELL PUMP PERFORMANCE (Capacity in Gallons Per Minute)

Catalog Number	HP	Total Suction Lift	Discharge Pressure (PSI)			Shut Off PSI		
			30	40	50			
5SNC	1/2	5'	9.7	7.9	4.5	67		
		10'	8.3	7.2	3.8	65		
		15'	7.4	6.4	3.1	62		
		20'	5.9	5.6	2.7	60		
		25'	4.3	4.1	1.8	58		
Catalog Number	HP	Disch. Pressure PSI	Dynamic Suction Lift					Shut-Off Pressure PSI
			5'	10'	15'	20'	25'	
5HN	1/2	30	15.0	13.0	11.6	8.7	6.9	70
		40	12.5	11.4	10.1	8.2	6.8	
		50	8.0	6.8	6.1	4.8	3.5	

**NOTE:** Pump will operate at all depths shown, with pressure switch set at 30-50 PSI. Pumps installed with Pro-Source™ tank require a 100 PSI relief valve.

## PUMP PERFORMANCE (Capacity in Gallons Per Minute)

Catalog Number	HP	Use Venturi/ Nozzle	Ejector Pkg.*	Shallow Well Jet Combinations					Shut Off PSI
				Total Suction Lift	Discharge Pressure (PSI)				
					30	40	50	60	
5SLC	1/2	N32P-66B	29SD	5'	9.0	7.9	4.1	-	61
				15'	7.2	6.3	3.3	-	56
		J34P-41		25'	4.7	4.1	2.1	-	52
7SLD	3/4	N32P-66B	29SD	5'	9.9	9.8	7.3	3.5	70
				15'	7.9	7.8	5.8	2.8	64
		J34P-41		25'	5.1	5.0	3.8	1.7	59

Catalog Number	HP	Use Venturi/ Nozzle	Ejector Pkg.*	Deep Well Jet Combinations							Shut Off Min. Depth
				Discharge Pressure PSI	Discharge Pressure (PSI)						
					30	40	50	60	70	80	
5SLC	1/2	J32P-24	4SD	30	7.3	5.8	4.5	3.3	2.3	-	68
				40	4.5	3.4	2.3	-	-		
7SLD	3/4	J32P-24	4SD	30	8.9	7.3	6.4	5.0	4.0	2.5	75
				40	6.5	5.1	4.0	3.0	1.8	0.8	