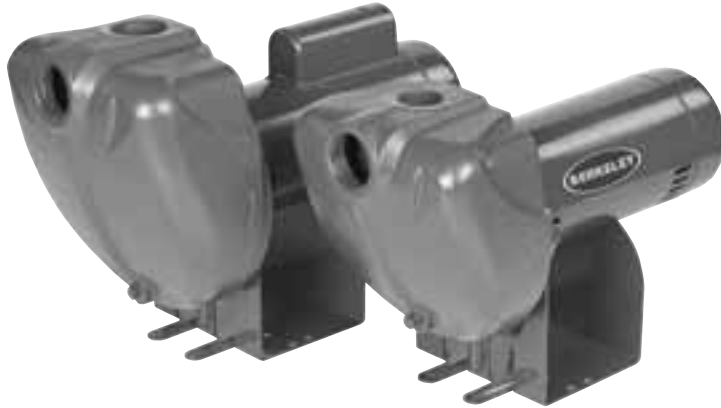




LTHH series

# Self-Priming Centrifugal Pumps



*The LTHH Series\* of cast iron sprinklers offer superior unmatched performance, available in 1 HP through 2-1/2 HP models.*

*The LTHH offers "single-body-fill" priming to 25-foot lifts, in less than 5 minutes!*

*The LTHH models exceed the strict safety requirements of Underwriters Laboratory UL778, and CSA. Required by many state and local codes.*

*The LTHH models are completely interchangeable with the original BERKELEY® LTH Series*

*models, saving costly plumbing "change-out" dollars and installation headaches!*

*\*Single and three phase available.*

## APPLICATIONS

- **Residential irrigation pump...** can be safely operated by timer or other automatic device
- **Contractors...** for dewatering excavation, water transfer and supply
- **Agriculture seed bed and plot irrigation, stock watering**
- **Industrial sump drainage, marine pumping, liquid transfer and supply operations**

## ORDERING INFORMATION

HIGH HEAD						
Catalog Number	HP	Voltage	Phase	Pipe Tapping Sizes		Approx. Wt. Lbs.
				Suct.	Disch.	
10LTHH	1	115/230	1	2"	1-1/2"	52
10LTHH3	1	208/230/460	3	2"	1-1/2"	52
10LTHH3-575T	1	575	3	2"	1-1/2"	57
15LTHH	1-1/2	115/230	1	2"	1-1/2"	58
15LTHH3	1-1/2	208/230/460	3	2"	1-1/2"	58
15LTHH3-575T	1-1/2	575	3	2"	1-1/2"	63
20LTHH	2	230	1	2"	2"	83
20LTHH3	2	208/230/460	3	2"	2"	83
20LTHH3-575T	2	575	3	2"	2"	88
25LTHH	2-1/2	230	1	2"	2"	85
25LTHH3	2-1/2	208/230/460	3	2"	2"	85
25LTHH3-575T	2-1/2	575	3	2"	2"	90

**NOTE:** 575V TEFC motors available in Canada.

## SPECIFICATIONS

- Body and Seal Plate** – Close-grained cast iron
- Impeller** – Noryl®
- Diffuser** – Reinforced polypropylene
- Shaft** – One-piece threaded 416 grade stainless steel
- Base** – Steel, 10 gauge
- Motor** – A.O. Smith 2-compartment

## FEATURES

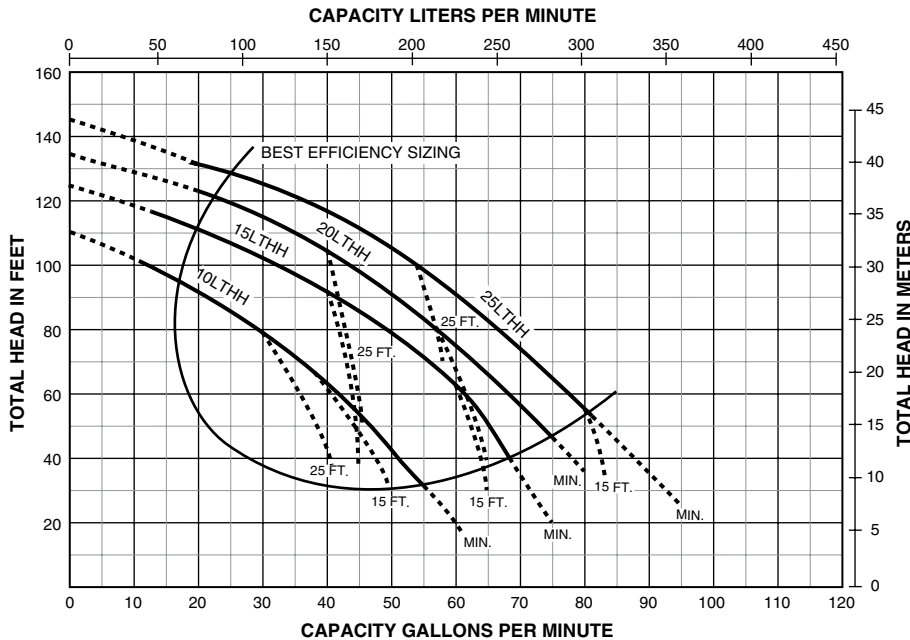
- Rugged Construction** – Close-grained cast iron body, specially treated for corrosion resistance.
- Noryl® Impeller** – Precision-molded for perfect balance... ultra-smooth for highest performance and efficiency.
- Precision Molded Diffuser** – Pump primes faster, handles more air, with multi-port, precision-molded, reinforced polypropylene diffuser.
- High Head Models** – Deliver up to 145' of head with capacities to 895 GPM.
- Easy Serviceability** – Normal wearing parts are easily accessible for service and replacement, without disturbing piping or mounting.
- Motor Windings** – Superior insulation materials protect against excessive moisture and contaminants... ensures prolonged motor life.
- Balanced Rotor** – Die cast under high pressures for uniform performance and greater efficiency, dynamically balanced.
- Drain Port** – Provided for easy winterizing.

BERKELEY® is a registered trademark of Pentair Water. Noryl® is a registered trademark of General Electric Co. In order to provide the best products possible, specifications are subject to change.



# Self-Priming Centrifugal Pumps

## PUMP PERFORMANCE



**NOTE:** Dotted lines indicate performance reduction at high suction lift.

## PUMP PERFORMANCE (Capacity in Gallons Per Minute)

Catalog Number	HP	Discharge Pressure		Suction Lift in Feet				
		PSI	Feet Head	5'	10'	15'	20'	25'
10LTHH	1	20	46.2	48	45	40	37	33
		30	69.3	33	30	26	22	16
		40	92.4	15	10	—	—	—
15LTHH	1-1/2	20	46.2	64	62	60	57	54
		30	69.3	53	50	46	42	37
		40	92.4	35	30	25	19	—
20LTHH	2	20	46.2	72	70	67	65	62
		30	69.3	60	58	54	51	47
		40	92.4	45	42	37	30	27
		50	115.5	23	16	—	—	—
25LTHH	2-1/2	20	46.2	83	80	77	74	71
		30	69.3	70	67	63	60	55
		40	92.4	56	52	48	40	35
		50	115.5	36	28	20	—	—

Tested and rated in accordance with Water Systems Council Standards.

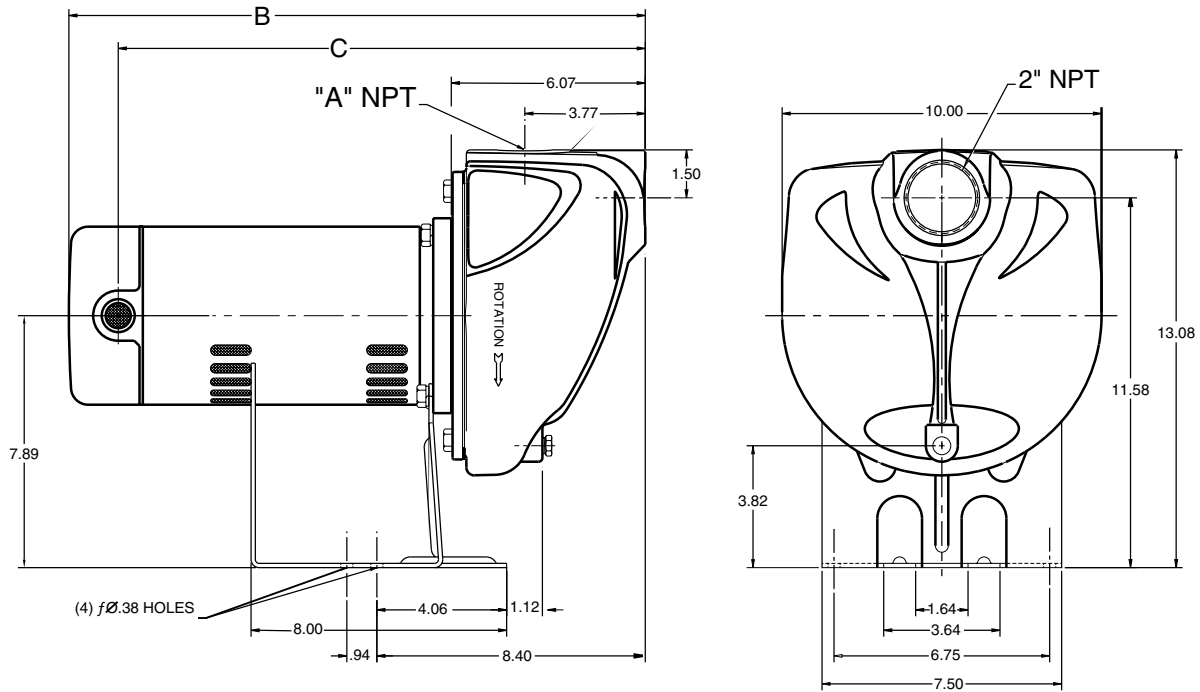
**NOTE:** Pumps installed with a PRO-Source™ tank require a 100 PSI relief valve. Pumps installed with a conventional tank require a 75 PSI relief valve. Relief valve must be capable of relieving entire flow of pump at relief pressure.



LTHH series

# Self-Priming Centrifugal Pumps

## OUTLINE DIMENSIONS



Catalog Number	A NPT	B	C
10LTHH	1-1/2" NPT	18.01	16.57
10LTHH3	1-1/2" NPT	16.42	15.04
10LTHH3-575T	1-1/2" NPT	17.35	13.29
15LTHH	1-1/2" NPT	19.07	17.63
15LTHH3	1-1/2" NPT	16.92	15.45
15LTHH3-575T	1-1/2" NPT	18.60	14.54
20LTHH	2" NPT	19.81	18.38
20LTHH3	2" NPT	18.22	16.75
20LTHH3-575T	2" NPT	18.91	14.85
25LTHH	2" NPT	20.13	18.69
25LTHH3	2" NPT	18.97	17.50
25LTHH3-575T	2" NPT	18.91	14.85

Dimensions (in inches) are for estimating purposes only.