

# Mini Fire-Ball® 225 3:1

## Air-Powered Oil Pumps and Packages

### Features and Benefits

- In-line design with fewer parts for less pump wear
- Differential air motor ensures smooth pumping
- Double-acting pump provides reliable fluid flow

### Typical Applications

- Lubricant transfer
- Automotive dealerships
- Heavy-duty dealerships
- Fast lube centers
- Fleet service facilities
- Service shops
- In-plant
- Lube trucks
- Mining

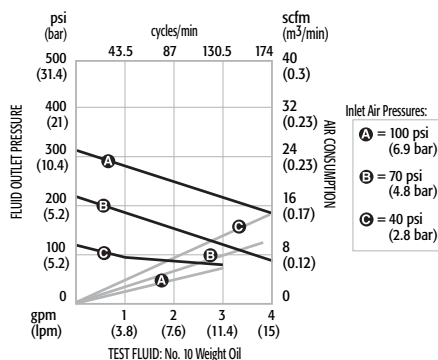
### Typical Fluids Handled

- Petroleum- and synthetic-based oils

### Technical Specifications

Cycles per Gallon.....	43.5 (11.4 liters)
Fluid Flow gal/min @ 80 cpm .....	1.84 (7.0 liters)
Maximum Fluid Pressure .....	.540 psi (37 bar)
Air Motor Effective Diameter.....	2.25 in (57.2 mm)
Air Operating Range .....	40-180 psi (2.8-12 bar)
Approx. Air Use and Flow @ 100 psi and 80 cpm .....	8.5 scfm @ 2.1 gpm, (0.241 m <sup>3</sup> /min @ 7.9 lpm)
Wetted Materials .....	Steel, Buna-N, Polyurethane, Aluminum, Rulon®
Air Inlet Port Size .....	3/8 in npt(f)
Fluid Inlet Port Size .....	1-1/2 in npt(f)
Fluid Outlet Port Size.....	1/2 in npt(f)
Line Length‡ .....	Up to 250 ft (76.2 m)
Dispense Points.....	1 to 2
Annual Usage .....	Up to 35,500 gal (132,000 l)
Typical Applications.....	Continuous duty, maintenance facility dispensing motor oil, gear oil, automatic transmission fluid, hydraulic fluid

### Pump Performance



246775

### Ordering Information

Mini Fire-Ball 225 3:1 Pump	
248097	3:1 Universal Oil Pump with suction tube (15C502) and bung adapter (222308)
246775	3:1 Universal Oil Pump

‡ Consult your local authorized Graco representative for line or pipe sizing

# Fire-Ball® 300 5:1

## Air-Powered Oil Pumps and Packages

### Features and Benefits

- In-line design with fewer parts for less pump wear
- Differential air motor ensures smooth pumping
- Double-acting pump provides reliable fluid flow

### Typical Applications

- Lubricant transfer
- Automotive dealerships
- Heavy-duty dealerships
- Fast lube centers
- Fleet service facilities
- Service shops
- In-plant
- Lube trucks
- Mining

### Typical Fluids Handled

- Petroleum- and synthetic-based oils

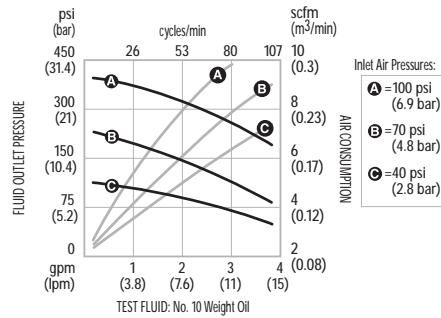
### Technical Specifications

Cycles per Gallon.....	28.4 (8.6 liters)
Fluid Flow gal/min @ 80 cpm .....	2.8 (9.3 liters)
Maximum Fluid Pressure .....	900 psi (62 bar)
Air Motor Effective Diameter.....	3 in (76.2 mm)
Air Operating Range .....	40-180 psi (2.8-12 bar)
Approx. Air Use and Flow @ 100 psi and 80 cpm .....	27 scfm @ 3 gpm (0.765 m <sup>3</sup> /min @ 11.5 lpm)
Wetted Materials .....	Steel, Polyurethane, Aluminum, Buna-N
Air Inlet Port Size .....	3/8 npt(f)
Fluid Inlet Port Size .....	1-1/2 npt(f)
Fluid Outlet Port Size.....	1/2 npt(f)
Line Length‡ .....	Up to 500 ft (152.5 m)
Dispense Points .....	1 to 3
Annual Usage .....	Up to 35,500 gal (132,000 l)
Typical Applications.....	Continuous duty, maintenance facility dispensing motor oil, gear oil, automatic transmission fluid, hydraulic fluid

### Ordering Information

Fire-Ball 300 5:1 Pump	
203876	5:1 Universal Oil Pump
203872	5:1 Oil Pump, 16 gal (120 lb) drum size, for cover mount
203857	5:1 Oil Pump, 55 gal (400 lb) drum size, for cover mount
204254	5:1 Oil Pump, 55 gal (400 lb) drum size, bung mount
222087	5:1 Oil Pump, 275 gal (1040 lb) tank size, bung mount

### Pump Performance



203876

‡ Consult your local authorized Graco representative for line or pipe sizing

# Fire-Ball® 425 3:1

## Air-Powered Oil Pumps and Packages

### Features and Benefits

- In-line design with fewer parts for less pump wear
- Differential air motor ensures smooth pumping
- Double-acting pump provides reliable fluid flow

### Typical Applications

- Lubricant transfer
- Automotive dealerships
- Heavy-duty dealerships
- Fast lube centers
- Fleet service facilities
- Service shops
- In-plant
- Lube trucks
- Mining

### Typical Fluids Handled

- Petroleum- and synthetic-based oils

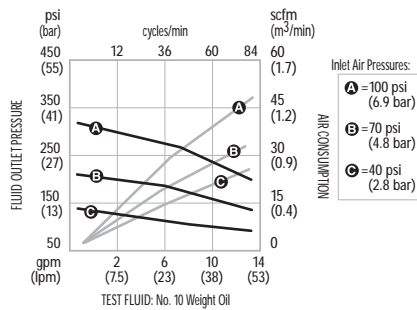
### Technical Specifications

Cycles per Gallon.....	6 (1.6 liters)
Fluid Flow gal/min @ 80 cpm .....	13.4 (50.6 liters)
Maximum Fluid Pressure .....	540 psi (37 bar)
Air Motor Effective Diameter.....	4.25 in (107.9 mm)
Air Operating Range .....	40-180 psi (2.8-12 bar)
Approx. Air Use and Flow @ 100 psi and 80 cpm .....	58 scfm @ 13.4 gpm (1.64 m <sup>3</sup> /min @ 50.6 lpm)
Wetted Materials .....	Steel, Polyurethane, Aluminum, Nitrile
Air Inlet Port Size .....	1/2 in npt(f)
Fluid Inlet Port Size .....	1-1/2 in npt(f)
Fluid Outlet Port Size.....	3/4 in npt(f)
Line Length‡ .....	Up to 250 ft (76.2 m)
Dispense Points .....	3 to 4
Annual Usage .....	Over 35,500 gal (132,000 l)
Typical Applications.....	High flow, low pressure maintenance facility dispensing motor oil, gear oil, automatic transmission fluid, hydraulic fluid

### Ordering Information

Fire-Ball 425 3:1 Pump	
237526	3:1 Universal Oil Pump

### Pump Performance



237526

‡ Consult your local authorized Graco representative for line or pipe sizing

# Fire-Ball® 425 6:1

## Air-Powered Oil Pumps and Packages

### Features and Benefits

- In-line design with fewer parts for less pump wear
- Differential air motor ensures smooth pumping
- Double-acting pump provides reliable fluid flow

### Typical Applications

- Lubricant transfer
- Automotive dealerships
- Heavy-duty dealerships
- Fast lube centers
- Fleet service facilities
- Service shops
- In-plant
- Lube trucks
- Mining

### Typical Fluids Handled

- Petroleum- and synthetic-based oils

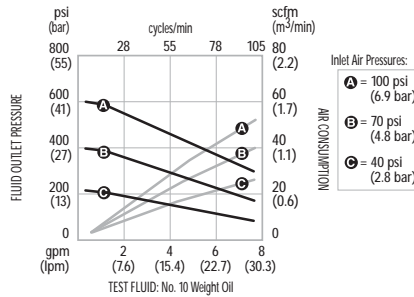
### Technical Specifications

Cycles per Gallon.....	12 (3.2 liters)
Fluid Flow gal/min @ 80 cpm .....	6.6 (25.3 liters)
Maximum Fluid Pressure .....	1100 psi (76 bar)
Air Motor Effective Diameter.....	4.25 in (107.9 mm)
Air Operating Range .....	40-180 psi 2.8-12 bar
Approx. Air Use and Flow @ 100 psi and 80 cpm .....	49.5 scfm @ 6.8 gpm (.334 m <sup>3</sup> /min @ 25.7 lpm)
Wetted Materials .....	Steel, Polyurethane, Aluminum, Nitrile
Air Inlet Port Size .....	1/2 in npt(f)
Fluid Inlet Port Size .....	1-1/2 in npt(f)
Fluid Outlet Port Size.....	3/4 in npt(f)
Line Length‡ .....	Up to 500 ft (152.5 m)
Dispense Points .....	3 to 4
Annual Usage .....	Up to 35,500 gal (132,000 l)
Typical Applications.....	High flow, medium pressure, maintenance facility dispensing motor oil, gear oil, automatic transmission fluid, hydraulic fluid

### Ordering Information

Fire-Ball 425 6:1 Pump	
238108	6:1 Universal Oil Pump

### Pump Performance



238108

‡ Consult your local authorized Graco representative for line or pipe sizing

# Fire-Ball® 425 10:1

## Air-Powered Oil Pumps and Packages

### Features and Benefits

- In-line design with fewer parts for less pump wear
- Differential air motor ensures smooth pumping
- Double-acting pump provides reliable fluid flow

### Typical Applications

- Lubricant transfer
- Automotive dealerships
- Heavy-duty dealerships
- Fast lube centers
- Fleet service facilities
- Service shops
- In-plant
- Lube trucks
- Mining

### Typical Fluids Handled

- Petroleum- and synthetic-based oils

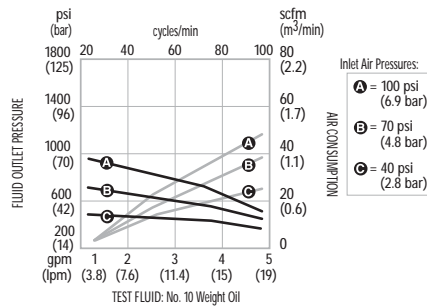
### Technical Specifications

Cycles per Gallon.....	19.6 (5.2 liters)
Fluid Flow gal/min @ 80 cpm .....	4.1 (15.4 liters)
Maximum Fluid Pressure .....	1800 psi (124 bar)
Air Motor Effective Diameter.....	4.25 in (107.9 mm)
Air Operating Range .....	40-180 psi (2.8-12 bar)
Approx. Air Use and Flow @ 100 psi and 80 cpm .....	32 scfm @ 4.1 gpm (.555 m <sup>3</sup> /min @ 15.4 lpm)
Wetted Materials .....	Steel, Polyurethane, Aluminum, Nitrile
Air Inlet Port Size .....	1/2 in npt(f)
Fluid Inlet Port Size .....	1-1/2 in npt(f)
Fluid Outlet Port Size.....	3/4 in npt(f)
Line Length‡ .....	Up to 750 ft (228.6 m)
Dispense Points .....	3 to 4
Annual Usage .....	Over 35,500 gal (132,000 l)
Typical Applications.....	Long distance, maintenance facility dispensing motor oil, gear oil, automatic transmission fluid, hydraulic fluid

### Ordering Information

Fire-Ball 425 10:1 Pump	
205626	10:1 Universal Oil Pump
222065	10:1 Oil Pump, 55 gal (400lb) drum size, cover mount
222095	10:1 Oil Pump, 55 gal (400lb) drum size, bung mount

### Pump Performance



205626

‡ Consult your local authorized Graco representative for line or pipe sizing

# Fire-Ball® Oil Pump Packages

## Air-Powered Oil Pumps and Packages

### Mini Fire-Ball 225 and Fire-Ball 300 Ordering Information

Packages	Portable	Cover-Mounted	Bung-Mounted	Universal
Container Size	16 gal (60 l)	55 gal (200 l)	275 gal (1040 l)	Universal
<b>Mini Fire-Ball 225, 3:1 Package</b>	<b>246903</b> <sup>(4)</sup>	<b>246904</b> <sup>(4)</sup>	<b>246906</b> <sup>(4)</sup>	<b>246907</b> <sup>(3), (4)</sup>
Mini Fire-Ball, 225 3:1 Pump	248097 <sup>(1), (3)</sup>			246775
<b>Fire-Ball 300, 5:1 package</b>	<b>225728</b> <sup>(2), (4)</sup>	<b>225094</b> <sup>(3), (4)</sup>	<b>225642</b> <sup>(3), (4)</sup>	<b>225640</b> <sup>(3), (4)</sup>
Fire-Ball 300 Pump	203872	203857	204254	222087
Dispense/Hose Fitting Kit	237075	222063		222062
Fluid Hose	6 ft x 1/2 in (1.8 m x 12.7 mm)			1.5 ft x 1/2 in (0.5 m x 9.5 mm)
Air Hose	—	6 ft x 3/8 in (1.8 m x 9.5 mm)		1.5 ft x 3/8 in (0.5 m x 9.5 mm)
Air Regulator	224512		—	—
Cover	204574	200326	—	—
Caster Base	203622	—	—	—
Bung Adapter for 300, 5:1	—	—	222308	
225, 3:1 Manual	309868			
300, 5:1 Manual	307884	307883		306520

<sup>(1)</sup> 248097 includes suction tube (15C502) and bung adapter (222308)

<sup>(2)</sup> Use 3/8 in (9.5 mm) installation kit (224512) as required

<sup>(3)</sup> Use 3/8 in (9.5 mm) air regulator 109075 as required; must be ordered separately

<sup>(4)</sup> Order low-level cut-off 203688 (1 1/2 inch NPT) separately for metered dispense systems

### Fire-Ball 425 Package Ordering Information

Packages	Cover-Mounted	Bung-Mounted	Universal Supply	Wall-Mounted
Container Size	55 gal (200 l)		Universal	
<b>Fire-Ball 425, 3:1 Package</b>	—	—	—	<b>244846</b> <sup>(3)</sup>
Fire-Ball 425, 3:1 Pump	—	—	—	237526
<b>Fire-Ball 425, 6:1 Package</b>	—	—	—	<b>244628</b> <sup>(3)</sup>
Fire-Ball 425, 6:1 Pump	—	—	—	238108
<b>Fire-Ball 425, 10:1 Package</b>	<b>225782</b> <sup>(1), (2)</sup>	<b>225786</b> <sup>(1), (2)</sup>	<b>225853</b> <sup>(1), (2)</sup>	<b>244847</b>
Fire-Ball 425, 10:1 Pump	222065	222095	205626	205626
Hose/Fitting Kit	222066		222068	
Fluid Hose	6 ft x 3/4 in (1.8 m x 19.05 mm)		1.5 ft x 3/4 in (0.5 m x 19.05 mm)	
Air Hose	6 ft x 1/2 in (1.8 m x 12.7 mm)		1.5 ft x 1/2 in (0.5 m x 12.7 mm)	
Cover	200326	—	—	—
Filter Regulator	—	—	—	217072
Air Shutoff Valve	—	—	—	110225
Fluid Shutoff Valve	—	—	—	108537
Wall Mount Bracket	—	—	—	238245
Instruction Manual	307883		306520	309351

<sup>(1)</sup> Use 1/2 in (12.7 mm) air regulator (104266) and air pressure gauge (100960) as required; must be ordered separately—see mounting accessories section

<sup>(2)</sup> Order low-level cut off (203688) separately for metered dispense systems—see mounting accessories section

<sup>(3)</sup> Includes pump plus: Filter Regulator (217072), Hose and Fitting Kit (222068), Air Shutoff Valve (110225), Fluid Shutoff (108537), Wall Mount Bracket, (238245)

Cover-mounted



Bung-mounted



Universal Supply



Portable

# Fluid Dispense Packages

## Air-Powered Oil Pumps and Packages

### Mini Fire-Ball® 225, 3:1 Bulk-Oil Dispensing Packages

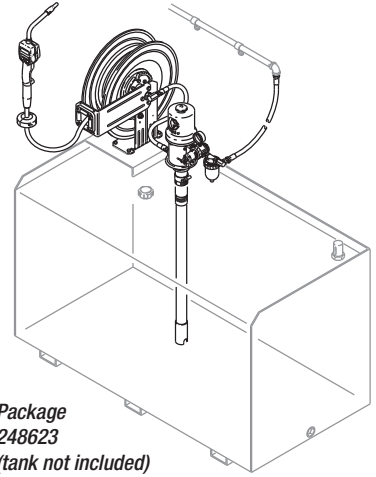
Mini Fire-Ball 225, 3:1 Pump Package	
248623*	Includes: Mini Fire-Ball 225, 3:1 Universal pump with bung adapter and down tube (248097), SD Series reel with 50 ft (15.2 m) x 1/2 in (12.7 mm) fluid hose (HPM65B), LDM5 meter (256215)
248622*	Includes: Mini Fire-Ball 225, 3:1 Universal pump with bung adapter and down tube (248097), SD Series reel with 25 ft (7.6 m) x 1/2 in (12.7 m) fluid hose (HPM33B), LDM5 meter (256215)

\*Order 218549 (1/2 in x 24 in) hose reel inlet kit separately NOTE: Tanks not included

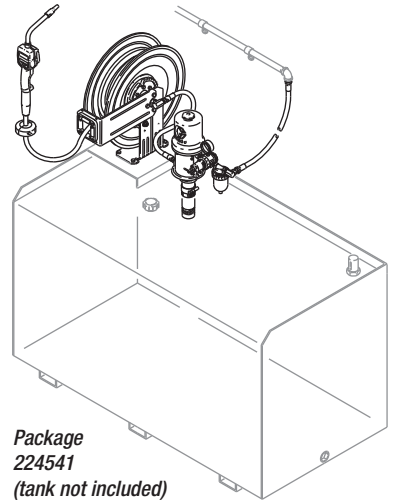
### Fire-Ball 300, 5:1 Deluxe Bulk-Oil Dispensing Packages

Fire-Ball 300, 5:1 Pump Packages	
241633*	Includes: Fire-Ball 300, 5:1 pump universal (203876), 3/8 in (9.5 mm) regulator/gauge (109075), 3/8 in (9.5 mm) x 3/8 in (9.5 mm) nipple (156849), 2 in (50.8 mm) bung adapter (222308), SD Series reel with 25 ft (7.6 m) x 1/2 in (12.7 mm) hose (HPM33B), SDM5 meter (255350)
224541*	Includes: Fire-Ball 300, 5:1 pump universal (203876), 3/8 in (9.5 mm) regulator/gauge (109075), 3/8 in (9.5 mm) x 3/8 in (9.5 mm) nipple (156849), 2 in (50.8 mm) bung adapter (222308), SD Series reel with 50 ft (15.3 m) x 1/2 in (12.7 mm) hose (HPM65B), 18 in (45.7 cm) hose (220598), 90° swivel (inlet on hose reel) (157416), SDM5 meter (255350)
244038*	Includes: Fire-Ball 300, 5:1 pump universal (203876), 3/8 in (9.5 mm) regulator/gauge (109075), 3/8 in (9.5 mm) x 3/8 in (9.5 mm) nipple (156849), 2 in (50.8 mm) bung adapter (222308), SD Series reel with 50 ft (15.3 m) x 1/2 in (12.7 mm) hose (HPM65B), 18 in (45.7 cm) hose (220598), 90° swivel (157416), SDP5 meter (255200)
224534*	Dispensing from Bench-Top Tanks with Fire-Ball 300, 5:1 Pump Package. Includes: Fire-Ball 300, 5:1 pump, Universal (203876), 3/8 in (9.5 mm) regulator/gauge (109075), Air filter (106148), 3/8 in (9.5 mm) x 3/8 in (9.5 mm) nipple (156849), SD Series reel with 50 ft (15.3 m) x 1/2 in (12.7 mm) hose (HPM65B), Drain valve (106151), 72 in (182.9 cm) hose kit (222063), Thermal relief valve (237893), 90° swivel (157416), SDM5 Meter (255350)

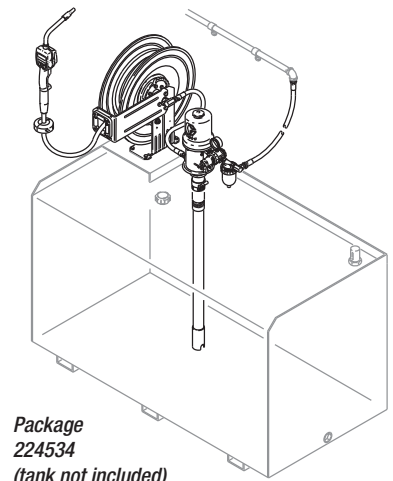
\*Order 218549 (1/2 in x 24 in) hose reel inlet kit separately NOTE: Tanks not included



**Package 248623**  
(tank not included)



**Package 224541**  
(tank not included)



**Package 224534**  
(tank not included)

# Fire-Ball® and Oil Pump Accessories

## Air-Powered Oil Pumps and Packages

Hose and Fittings Kits for Mini Fire-Ball 225, 3:1 and Fire-Ball 300, 5:1 Pumps	
222062	18 in (0.5 m) for connecting wall-mounted Mini Fire-Ball 225, 3:1 and Fire-Ball 300, 5:1 pumps to piping. Includes air hose (204560) with swivel elbow (155494), fluid hose (220598) with swivel elbow (155470). Instruction manual 306520
222063	6 ft (1.8 m) for use with drum-mounted Mini Fire-Ball 225, 3:1 and Fire-Ball 300, 5:1 pumps. Includes air hose (203320) with swivel elbow (155494), fluid hose (220591) with swivel elbow (155470). Instruction manual 307883
Dispense Kits for Mini Fire-Ball 225, 3:1 and Fire-Ball 300, 5:1 Pumps	
237075	6 ft (1.8 m) for use with portable lubricators powered by the Fire-Ball 300, 5:1. Includes fluid hose (220591) and SDM5 gear lube valve (255349). Instruction manual: 307884
Hose and Fittings Kits for Fire-Ball 425, 3:1, 6:1 and 10:1	
222068	18 in (0.5 m) for connecting wall-mounted Fire-Ball 425, 10:1 pumps to piping. Includes air hose (218093) with swivel elbow (155470), fluid hose (109108) with swivel elbow (160327). Instruction manual: 306520
238246	24 in (0.6 m) for use with Fire-Ball 425, 3:1 and 6:1 wall-mounted pumps to piping. Includes air hose (218093) with swivel elbow (155470), fluid hose (238247) with swivel elbow (160327)
222066	6 ft (1.8 m) for use with drum-mounted Fire-Ball 425, 10:1 pumps. Includes air hose (205418) with swivel elbow (155470), fluid hose (109105) with swivel elbow (160327). Instruction manual: 307883
Suction Kits	
236054	6 ft (1.8 m) Suction Kit for 55-gal. (200 l) drums. Includes: 55-gal. (200 l) drum tube, bung adapter and 6 ft (1.8 m) of 3/4 in fluid hose with 3/4 in ID x 1-1/2 in bushing to adapt to any universal Graco oil pump. Allows use of Fast-Ball 1:1, Mini Fire-Ball 225, 3:1, Fire-Ball 300, 5:1 or Fire-Ball 425, 10:1 universal pumps with barrels. Order wall brackets separately. Use with low-level cut-off (203688) when metering fluids. Instruction manual: 308335
Drum Covers	
200326	Cover for open-head 55 gal (200 l) drums. Use with Mini Fire-Ball 225, 3:1, Fire-Ball 300, 5:1 or Fire-Ball 425, 10:1 pump. Use adapter 160754 for cover-mounting bung-style pumps
204574	Cover for open-head 16 gal (60 l) or 70 lb (32 kg) drums. Mounts Fast-Ball 1:1, Mini-Fire-Ball or Fire-Ball pumps
222058	Cover for 5 gal (20 l) pails. Mounts Fast-Ball 1:1, Mini Fire-Ball 225, 3:1, Fire-Ball 300, 5:1 and 15:1 pumps. Bung adapter (222308) and bung adapter plate (160754) sold separately
160754	Bung-adapter plate for 55 gal (200 l) or 16 gal (60 l) covers. Mounts to 55 gallon (400 lb; 200 l), 16 gal (120 lb; 60 l) drum or 5 gal (20 l) pail covers and converts mounting to standard 2 npt bung opening. Allows use of bung-mounted pumps with drum covers
Wall-Mounting Brackets	
203987	For universal Fast-Ball 1:1, Mini Fire-Ball 225, 3:1, Fire-Ball 300, 5:1 and Fire-Ball 425, 10:1 pumps. Clamps onto universal pump tube
238245	For use with Fire-Ball 425, 3:1, 6:1 and 10:1 pumps. Mounts directly to pump flange
236778	For use with Fire-Ball 425, 3:1, Dyna-Star 1/4:1 and Power-Star 1:1 pumps. Clamps to pump tube and provides mounting to wall surface by flange
Clamps	
203156	Open-drum pump clamp. Attaches to side of open-head drum and mounts on any size pump except Fire-Ball 425, 3:1
210880	Open-drum pump clamp for Fire-Ball 300, 5:1 and Fire-Ball 425, 10:1 pumps. Clamps onto pump tube and attaches to open-drum lip
Tools for Working on Fire-Ball Air Motors	
207579	Padded pliers
171818	Poppet gauge
168085	Insert tool
Carts	
203650	Cart for 5, 10 and 16 gal (20, 40, and 60 l) drums. Drums fit into recess on formed base. Rim clamps secure drum to cart. Use with pail clamp (159952) when using cart with 5 gal (20 l) pails
222243	Heavy-Duty Cart with Pneumatic Wheels for 120 lb (55 kg) drums. Used for moving lubrication equipment over rough terrain. Requires: Hold down kit (222061)
111470	55 gal (200 l) Drum Truck. Heavy-duty drum truck secures 55 gal (200 l) drum on roll-around base



200326



204574



160754



203987



203156



210880



203650



111470



# Fire-Ball® and Oil Pump Accessories

## Air-Powered Oil Pumps and Packages

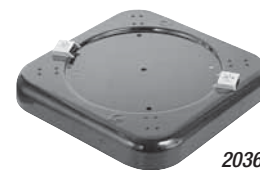
Air-Powered Oil Pumps and Packages

### Ordering Information

Portable Bases	
205054	Band Dolly for 5 gal (20 l) pails (11-1/2 in ID)
204144	Band Dolly for 10 and 16 gal (40 and 60 l) drums (14 in ID)
203622	Caster Base for 5, 10 and 16 gal (20, 40 and 60 l) drums
Drum Elevator	
241663	Air-powered elevator to speed-up 55 gal (200 l) drum changes. Maximum raised height is 39.5 in (100.3 cm). Includes cover support (207562), drum elevator (204385), and air control kit (207561)
Suction Tubes For Pumps	
238592	For 16 gal (60 l) cover-mounted Fast-Ball 1:1, Mini Fire-Ball 225, 3:1, Fire-Ball 300, 5:1 and Fire-Ball 425, 10:1. Use bung adapter 222308 on all current production models. Includes (191126) 14-1/2 in (0.36 m) extension (110127) foot spacer
238593	For 55-gal (200 l) cover-mounts. Includes (191128) 21-3/4 in (0.55 m) extension (110127) foot spacer
238595	For 55 gal (200 l) bung-mounted Fast-Ball 1:1, Mini Fire-Ball 225, 3:1, Fire-Ball 300, 5:1 and Fire-Ball 425, 10:1. Use bung adapter 222308 on all current production models. Includes (191130) 26 in (0.66 m) extension (110127) foot spacer
238596	For 275-gal (1100 l) bung-mounts. Includes (191131) 36 in (0.91 m) extension (110127) foot spacer
15C502	Universal Down Tube 1-1/2 in tube marked for standard container lengths from 20-41 in (0.51-1.04 m)
Bung Adapters	
222308	For Fast-Ball 1:1; Mini Fire-Ball 225, 3:1; Fire-Ball 300, 5:1; and Fire-Ball 425, 10:1 Pumps. Allows direct mounting of all universal length and extended Fast-Ball 1:1, Mini Fire-Ball 225, 3:1, Fire-Ball 300, 5:1 and Fire-Ball 425, 10:1 pumps into standard 2 npt drum bung
238125	For Mini Fire-Ball 225, 3:1; Fire-Ball 300, 5:1; and the Fire-Ball 425, 10:1. Includes double tap bushing (191075), 1 ft 3/8 in hose (238370), and 90° 3/8 in adapter (155494) for mounting universal pumps to tanks (see 308403 for details)
214583	For Fast-Flo 1:1 Pumps, allows direct mounting of full-length pump into standard 2 npt drum bung. Comes with bushing sleeve (172405)
187754	Acetal Bung Adapter includes (100220) thumbscrew (for Fire-Ball 300, 15:1 SST undercoating pump)
176684	Bung Adapter for Suction Kit (203992). Includes (100220) thumbscrew
Sealed Bung Adapters (prevents rain water and other fluids from entering drum when pump is outdoors.)	
204076	Sealed bung adapter for full-length Fire-Ball with 2-1/8 in (53.9 mm) bung and Mini Fire-Ball 225, 3:1 (2.140 inch diameter)
224579	Sealed bung adapter for universal length Fire-Ball pumps, 2.159 inch diameter (will not fit Mini Fire-Ball 225, 3:1 or old style pumps with bottom foot valve)
217359	Sealed bung adapter for Fast-Flo pumps; can be used with suction kit 236054
Low-Level Cut-Offs (Prevents air from entering pump by closing intake when fluid supply to pump is exhausted. Can be used with suction hose kit or standard suction tube without changing tube length.)	
203688	Low-level cut-offs for Fast-Ball and Fire-Ball pumps that have a universal design with suction tube extension supplying metered outlets; replaces stand-off suction tube; 1.5 npt (f) inlet. 3 in (76 mm) h
Thermal Relief Valve Kits (includes valve, hose and fittings)	
235998	Mini Fire-Ball 225, 3:1 thermal relief valve rated to 600 psi (41 bar)
237893	Fire-Ball 300, 5:1 and Fire-Ball 425, 6:1 thermal relief valve rated to 900 psi (62 bar)
248296	Fire-Ball 300, 5:1 and Fire-Ball 425, 6:1 thermal relief valve rated to 900 psi (62 bar) (same as 237893 minus bung adapter and swivel. Includes 6 foot hose)
237601	Fire-Ball 425, 3:1 thermal relief valve rated to 600 psi (41 bar)
240429	Fire-Ball 425, 10:1 thermal relief valve rated to 1600 psi (110 bar)
248324	Fire-Ball 425, 10:1 thermal relief valve rated to 1600 psi (110 bar) (same as 240429 minus bung adapter and swivel. Includes 6 foot hose)
238899	Diaphragm pump thermal relief valve rated to 150 psi (10.4 bar)
112353	Diaphragm pump thermal relief valve for fuel dispense; rated to 50 psi (3.4 bar), valve only



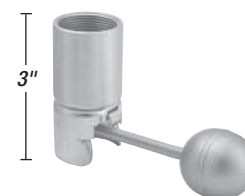
204144



203622



241663



203688

# Fire-Ball® and Oil Pump Accessories

## Air-Powered Oil Pumps and Packages

### Ordering Information

Bleed-Type Air Shut-Off Valves (rated to 250 psi [17.4 bar]) Female ends		
110223	1/4 in (6.4 mm)	
110224	3/8 in (9.5 mm)	
110225	1/2 in (12.7 mm)	
110226	3/4 in (19.1 mm)	
Fluid Shut-Off Valves (rated to 2000 psi [138 bar]) For isolating oil dispense lines.		
108458	1/2 in (12.7 mm)	
240418	3/8 in (9.5 mm)	
108537	3/4 in (19.1 mm)	
110314	1 in (25.4 mm)	
240417	Fluid T-Strainers 60 Mesh Strainer, 750 psi (51 bar) working pressure. Prevents foreign material from entering dispense lines. Not for use with grease lines. 1/2 in npt(f) swivel x 1/2 in npt(m) ports	
Mesh Strainer Replacement for 240417		
3 replacement Elements	25 replacement Elements	Mesh
238433	238434	40 mesh
238431	238432	60 mesh (standard)
238429	n/a	100 mesh
Y-Strainers 400 psi (28 bar) max. working pressure filters material before it enters the pump. 20 mesh screen.		
Y-Strainer	Replacement Screens	Inlet/Outlet
101078	180199	3/4 npt(f) both ends
110877	110906	1/2 npt(f) both ends
110878	110907	1 npt(f) both ends



108458



240417



101078

Mounting Accessories						
Pump	Fast-Ball 1:1	Mini Fire-Ball 225, 3:1	Fire-Ball 300, 5:1	Fire-Ball 425, 3:1	Fire-Ball 425, 6:1	Fire-Ball 425, 10:1
Bung Adapter	222308			N/A‡	N/A‡	222308
Connection Hose Kit	222118 18 inch (45.7 cm) 222119 72 inch (182.8 cm)	222062 18 inch (45.7 cm) 222063 72 inch (182.8 cm)		238246 24 inch (60.9 cm)		222068 18 inch (45.7 cm) 222066 72 inch (182.8 cm)
Wall Mounting Bracket	203987			238245		203987
Thermal Relief Kit	-	235998	237893	237601	240429	
Air Regulator and Gauge	110147	109075		104266/100960		
Air Filter	110146	106148		106149		
Air Lubricator	110148	214847		214848		
FRL*	110149	110150		217072		
Airline Shutoff Valve	110223	110224		110225		
Fluid Shutoff Valve	108537	108458		108537		
Fluid Outlet Filter	240417			101078	—	
Low-Level Cutoff	203688					
Suction Hose Kit	236054			N/A**	N/A**	

\*Filter, Regulator, Lubricator and Gauge

\*\*Recommend 1-1/2 in, 6 ft hose assembly as suction kit

‡Must be wall-mounted or flange-mounted