



ProJet™ SL/SLJ\* series - cast iron

# Self-Priming Convertible Jet Pumps



*The ProJet SL convertible jet pumps offer a proven cast iron self-priming design available in 1/2 - 1-1/2 HP models. The ProJetSL convertible jets utilize the BERKELEY® built-in regulators offering easier priming and better range of performance from a complete line of shallow well, 4" double pipe, 2" and 3" single pipe jet packages.*

## APPLICATIONS

- Water systems and sprinkling... for homes, farms and cottages.

## SPECIFICATIONS

- Body and Seal Plate** – Close-grained cast iron
- Impeller** – High strength Noryl®
- Diffuser** – Reinforced polypropylene with brass wear ring
- Shaft** – One-piece threaded 416 stainless steel
- Base** – Steel, 10 gauge
- Max. Liquid Temperature** – 140°F
- Max. Inlet Pressure** – 50 PSI
- Pressure Switch Pre-Set** – 30-50 PSI
- Suction Ports** – “Suction-over-Drive”

## ORDERING INFORMATION

Catalog Number	HP	Description	Pipe Tapping Sizes			Motor Voltage	Approx. Wt. Lbs.
			Suct.	Drive	Disch.		
5SL/5SLJ*	1/2	Base Mounted Pump	1-1/4"	1"	1"	115/230	40
7SL/7SLJ*	3/4	Base Mounted Pump	1-1/4"	1"	1"	115/230	42
10SL/10SLJ*	1	Base Mounted Pump	1-1/4"	1"	1"	115/230	60
15SL/15SLJ*	1-1/2	Base Mounted Pump	1-1/4"	1"	1"	115/230	65

\* SLJ Models include ejector package.

A Jet Package should be ordered with every SL Series Pump.

**NOTE:** Pumps installed with a PRO-Source™ tank require a 100 PSI relief valve. Pumps installed with a conventional tank require a 75 PSI relief valve. Relief valve must be capable of relieving flow of pump at relief pressure.

BERKELEY® is a registered trademark of Pentair Water. Noryl® is a registered trademark of General Electric Co. PRO-Source™ is a registered trademark of Pentair Water. In order to provide the best products possible, specifications are subject to change.

## FEATURES

- Quality Construction** – Close-grained cast iron pump body, is rugged one-piece unit, specially treated to resist corrosion. Drain port provided for easy winterizing.
- Noryl® Impeller** – Precision-molded for perfect balance... ultra-smooth for highest performance and efficiency.
- Precision Molded Diffuser** – Pump primes faster, handles more air, with multi-port, precision-molded, reinforced polypropylene diffuser.
- Pressure Switch** – High quality, cut-in pressure setting are adjustable. Fixed 20 PSI differential.
- Mechanical Shaft Seal** – Precision lapped and highly polished carbon-ceramic, stainless steel construction. Internal design guarantees continuous water lubrication for maximum protection.
- Motor Windings** – Superior insulation materials protect against excessive moisture and contaminants... assures prolonged motor life.
- Balanced Rotor** – Die cast under high pressures for uniform performance and greater efficiency... dynamically balanced.
- Heavy-duty Ball Bearings** – Shielded, permanently lubricated bearings, extensively tested to ensure extended life and smooth, quiet operation.
- Pump and Motor Shaft** – 416 stainless steel for maximum corrosion resistance; one-piece threaded shaft for positive impeller drive and alignment.
- Dustproof Cover** – Dustproof canopy protects all electrical components from dirt, dust and insects; ventilating air cannot contaminate vital switching components... eliminates the most common cause of motor failure.



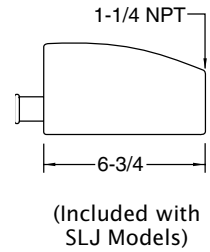
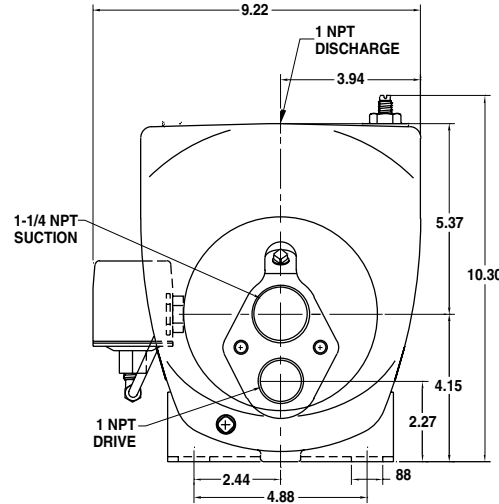
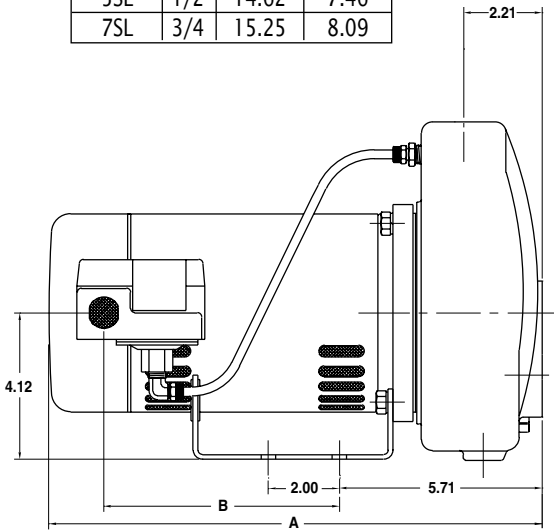
ProJet™ SL/SLJ series - cast iron

# Self-Priming Convertible Jet Pumps

## OUTLINE DIMENSIONS

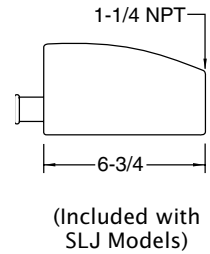
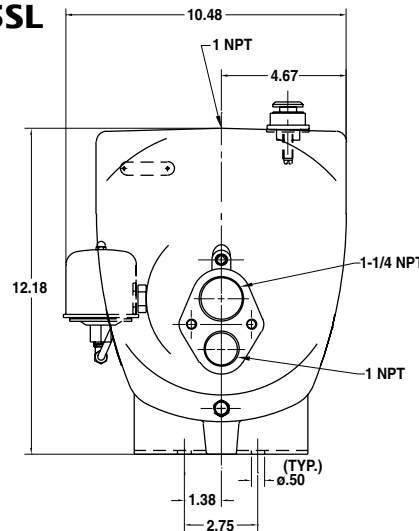
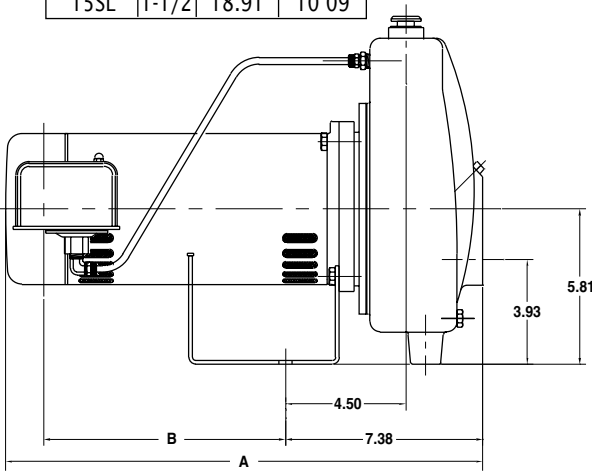
### 5SL and 7SL

Catalog Number	HP	A Dim.	B Dim.
5SL	1/2	14.62	7.46
7SL	3/4	15.25	8.09



### 10SL and 15SL

Catalog Number	HP	A Dim.	B Dim.
10SL	1	16.79	9.03
15SL	1-1/2	18.91	10.09



Dimensions (in inches) are for estimating purposes only.



# ProJet™ SL/SLJ series - cast iron

## Self-Priming Convertible Jet Pumps

### PUMP PERFORMANCE (Capacity in Gallons Per Minute) SHALLOW WELL, 5' 10' 15' 20' 25' PUMPING DEPTHS

Cat. No.	HP	Disch. Press.	Pumping Depth to Water in Feet																																		
			5 ft. lift				10 ft. lift				15 ft. lift				20 ft. lift				25 ft. lift																		
			10SD	29SD	CK3			10SD	29SD	CK3			10SD	29SD	CK3			10SD	29SD	CK3			10SD	29SD	CK3												
SSL	1/2	Jet Package																																			
		Venturi N32P_	-67B	-66B	-78B			-67B	-66B	-78B			-67B	-66B	-78B			-67B	-66B	-78B			-67B	-66B	-78B												
		Nozzle J34P_	-44	-41	-41			-44	-41	-41			-44	-41	-41			-44	-41	-41			-44	-41	-41												
		20 PSI	12.0	9.1	5.9			9.7	8.4	5.4			12.0	7.3	4.7			9.7	6.2	4.0			6.7	4.7	3.1												
		30 PSI	10.8	9.0	5.8			9.5	8.3	5.3			10.8	7.2	4.6			9.5	6.1	3.9			6.7	4.7	3.0												
		40 PSI	5.2	7.9	5.6			4.2	7.2	5.2			5.2	6.3	4.5			4.2	5.4	3.8			2.5	4.1	2.9												
		50 PSI		4.1	4.5				3.8	4.1				3.3	3.6				2.8	3.1				2.1	2.3												
		60 PSI			2.4					2.2					1.9					1.6																	
		Shut Off-PSI	53	61	70			51	58	66			49	56	64			47	54	61			45	52	58												
7SL	3/4	Jet Package	11SD	10SD	29SD	CK5			11SD	10SD	29SD	CK5			11SD	10SD	29SD	CK5			11SD	10SD	29SD	CK5			11SD	10SD	29SD	CK5							
		Venturi N32P_	-68B	-67B	-66B	-66B			-68B	-67B	-66B	-66B			-68B	-67B	-66B	-66B			-68B	-67B	-66B	-66B			-68B	-67B	-66B	-66B							
		Nozzle J43P_	-44	-44	-41	-45			-44	-44	-41	-45			-44	-44	-41	-45			-44	-44	-41	-45			-44	-44	-41	-45							
		20 PSI	20.6	14.4	10.1	6.6			19.0	13.2	9.3	6.1			16.5	11.5	8.1	5.3			13.3	9.5	6.9	4.5			9.8	6.9	5.3	3.4							
		30 PSI	19.6	14.3	9.9	6.5			18.1	13.1	9.1	6.0			15.7	11.4	7.9	5.2			13.3	9.5	6.7	4.4			9.8	6.9	5.1	3.4							
		40 PSI	10.3	12.1	9.8	6.4			9.4	11.2	9.0	5.9			8.2	9.7	7.8	5.1			6.4	8.3	6.6	4.3			3.1	6.3	5.1	3.3							
		50 PSI		4.6	7.3	6.3				4.3	6.7	5.8				3.7	5.8	5.0				2.6	4.9	4.3				1.0	3.8	3.3							
		60 PSI			3.5	5.8					3.2	5.3					2.8	4.6					2.4	3.9						3.0							
		Shut Off-PSI	55	59	70	72			53	57	66	67			50	55	64	65			48	53	61	63			46	51	59	61							
10SL	1	Jet Package	12SD	11SD	CK1	CK5	CK1			12SD	11SD	CK1	CK5	CK1			12SD	11SD	CK1	CK5	CK1			12SD	11SD	CK1	CK5	CK1			12SD	11SD	CK1	CK5	CK1		
		Venturi N32P_	-65	-68B	-72E	-67B	-72			-65	-68B	-72E	-67B	-72			-65	-68B	-72E	-67B	-72			-65	-68B	-72E	-67B	-72			-65	-68B	-72E	-67B	-72		
		Nozzle J34P_	-44	-44	-43	-45	-43			-44	-44	-43	-45	-43			-44	-44	-43	45	-43			-44	-44	-43	-45	-43			-44	-44	-43	-45	-43		
		20 PSI	24.2	20.3	14.5	12.6	8.6			23.2	19.4	13.9	12.1	8.3			20.2	16.9	12.1	10.5	7.2			17.7	13.6	10.3	8.2	6.1			12.5	10.4	7.9	6.2	4.7		
		30 PSI	24.0	20.3	14.4	12.4	8.5			23.0	19.4	13.8	11.8	8.2			20.0	16.9	12.0	10.3	7.1			17.7	13.6	10.2	8.0	6.0			12.5	10.4	7.8	6.0	4.6		
		40 PSI	16.7	16.4	13.7	12.2	8.3			16.0	15.8	13.1	11.7	7.9			13.9	13.7	11.4	10.2	6.9			11.8	11.5	9.7	7.8	5.9			10.3	8.3	7.4	5.8	4.5		
		50 PSI			12.6	12.0	8.2					12.1	11.5	7.8					10.5	10.0	6.8					8.9	7.7	5.8					6.8	5.7	4.4		
		60 PSI			6.0	8.2	6.1					5.8	7.8	5.9					5.0	6.8	5.1					4.3	5.8	4.3					3.3	4.8	3.3		
		70 PSI			4.2	2.9					4.0	2.8					3.5	2.4					2.8	2.0					2.0	1.6							
		Shut Off-PSI	61	62	71	80	82			59	60	69	78	79			57	58	67	76	77			54	55	65	74	75			52	53	63	72	73		
15SL	1-1/2	Jet Package	12SD	CK2	60SD				12SD	CK2	60SD				12SD	CK2	60SD				12SD	CK2	60SD				12SD	CK2	60SD								
		Venturi N32P_	-65	-64	-64			-65	-64	-64			-65	-64	-64			-65	-64	-64			-65	-64	-64			-65	-64	-64							
		Nozzle J34P_	-44	-44	-45			-44	-44	-45			-44	-44	-45			-44	-44	-45			-44	-44	-45			-44	-44	-45							
		20 PSI	26.8	21.6	18.4			24.6	19.9	16.9			21.4	17.3	14.7			18.2	14.7	12.5			13.9	11.2	9.6												
		30 PSI	26.5	21.5	18.1			24.4	19.8	16.7			21.2	17.2	14.5			18.0	14.6	12.3			13.8	11.2	9.4												
		40 PSI	22.9	21.3	17.5			21.0	19.6	16.1			18.3	17.0	14.0			15.6	14.5	11.9			11.9	11.1	9.1												
		50 PSI	15.1	16.8	17.3			13.9	15.4	15.9			12.1	13.4	13.8			10.3	11.4	11.7			7.9	8.7	9.0												
		60 PSI		4.0	15.6				3.7	14.4				3.2	12.5				2.7	10.6				2.1	8.1												
		70 PSI			4.1					3.8					3.3					2.8																	
		Shut Off-PSI	61	71	77			59	69	75			57	67	73			55	65	71			53	63	68												

Pumps are supplied with 30 – 50 pressure switch setting. Cut-in pressure settings are adjustable.

### PUMP PERFORMANCE – SLJ MODELS\*

Catalog Number	Ejector Package (Included)	Shallow Well		Deep Well	
		Nozzle	Venturi	Nozzle	Venturi
5SLJ	J198-26	J34P-41	N32P-66B	J34P-42	J32P-18
7SLJ	J198-27	J34P-41	N32P-66B	J34P-43	J32P-18
10SLJ	J198-28	J34P-43	N32P-72E	J34P-44	J32P-22
15SLJ	J198-29	J34P-44	N32P-64	J34P-44	J32P-22

\*SLJ Models use venturids and nozzles as shown. Specific performances are shown in the SL Models charts.



ProJet™ SL/SLJ series - cast iron

# Self-Priming Convertible Jet Pumps

## PUMP PERFORMANCE (Capacity in Gallons Per Minute)

### DEEP WELL (40 PSI) 4" DOUBLE PIPE

Cat. No.	HP	Jet. No.	Uses Venturi	Uses Nozzle	Pumping Depth in Feet												Max. Pump Shut Off Press. PSI	
					20'	30'	40'	50'	60'	70'	80'	90'	100'	110'	120'	Jet at 20 ft. Depth	Jet at Max. Depth	
5SL	1/2	4SD	J32P-24	J34P-41	5.9	4.5	3.4	2.3									68	54
		CK3	N32P-78B	J34P-41	4.9	3.9	2.9										71	61
		15SD	J32P-18	J34P-42	4.6	3.9	3.3	2.8	2.3	1.7							84	59
7SL	3/4	CK3	J32P-26	J34P-41	9.4	8.0	6.6										77	68
		54SD	J32P-22	J34P-44	8.0	6.9	5.7	4.8	3.8	3.2							94	70
		CK5	N32P-66B	J34P-45	7.3	6.2	5.0	4.0									83	69
		55SD	J32P-18	J34P-43	5.0	4.3	3.7	3.2	2.6	2.2	1.8	1.5					96	63
10SL	1	CK1	N32P-72	J34P-43	13.2	10.8	8.4	6.3	4.2								74	56
		CK2	J32P-24	J34P-44	13.0	11.5	9.9	8.7	7.5	6.6	5.4						105	80
		54SD	J32P-22	J34P-44	8.5	7.7	6.7	6.3	5.8	5.4	4.8	4.0	3.7	3.4	2.7		122	73
15SL	1-1/2	54SD	J32P-22	J34P-44	9.5	8.5	7.4	6.9	6.5	6.0	5.4	4.8	4.2	3.6	2.9		127	76

Tank body on 15SL pump tapped 1-1/4" x 1". On 15SL pump drop pipe should be increased to 1-1/2" x 1-1/4" to ensure adequate capacity from pump.

## PUMP PERFORMANCE (Capacity in Gallons Per Minute)

### DEEP WELL (40 PSI) 2" SINGLE PIPE

Cat. No.	HP	Jet. No.	Uses Venturi	Uses Nozzle	Pumping Depth in Feet												Max. Pump Shut Off Press. PSI	
					20'	30'	40'	50'	60'	70'	80'	90'	100'	110'	120'	Jet at 20 ft. Depth	Jet at Max. Depth	
5SL	1/2	8AP	J32P-18	J34P-42	4.7	4.1	3.4	2.5	1.9	1.5							84	58
7SL	3/4	54AP	J32P-22	J34P-44	7.4	6.3	5.2	3.9	2.5	2.0							82	54
10SL	1	10AP	J32P-24	J34P-44	10.5	10.0	8.1	6.2									96	79
		54AP	J32P-22	J34P-44	6.0	5.3	4.8	4.2	4.1	3.7	3.5	2.8	2.1	1.6			95	53
15SL	1-1/2	9AP	J32P-29	J34P-44	11.7	11.1	9.8	6.8									69	57
		8AP	J32P-18	J34P-42	6.7	5.8	5.3	4.7	4.5	4.1	3.8	3.1	2.6	2.0	1.6		129	72

### DEEP WELL (40 PSI) 3" SINGLE PIPE

5SL	1/2	19CP	J32P-24	J34P-41	5.9	4.5	3.4	2.3									68	54
		16CP	J32P-18	J34P-42	4.6	3.9	3.3	2.8	2.3	1.7							84	59
		9CP	J32P-26	J34P-41	9.4	8.0	6.6										77	68
7SL	3/4	54CP	J32P-22	J34P-44	8.0	6.9	5.7	4.8	3.8	3.2							94	70
10SL	1	18CP	J32P-24	J34P-44	13.0	11.5	9.9	8.7	7.5	6.6	5.4						106	80
		54CP	J32P-22	J34P-44	8.5	7.7	6.7	6.3	5.8	5.4	4.8	4.0	3.7	3.4	2.7		122	73
		57CP	J32P-33	P122-10B	18.0	15.4	12.8	10.8									81	68
15SL	1-1/2	54CP	J32P-22	J34P-44	9.5	8.5	7.4	6.9	6.5	6.0	5.4	4.8	4.2	3.6	2.9		127	76

Tank body on 15SL pump tapped 1-1/4" x 1". Drop pipe should be increased to 1-1/2" x 1-1/4" to ensure adequate capacity from pump. Tested and rated in accordance with Water Systems Council Standards.

**NOTE:** Pumps installed with a PRO-Source™ tank require a 100 PSI relief valve. Pumps installed with a conventional tank require a 75 PSI relief valve. Relief valve must be capable of relieving entire flow of pump at relief pressure.