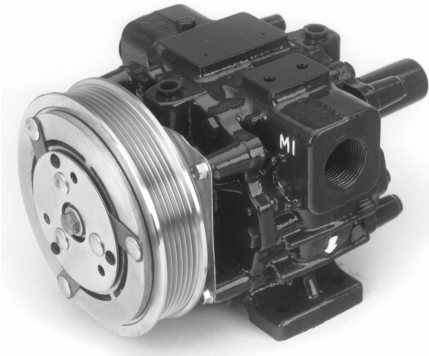
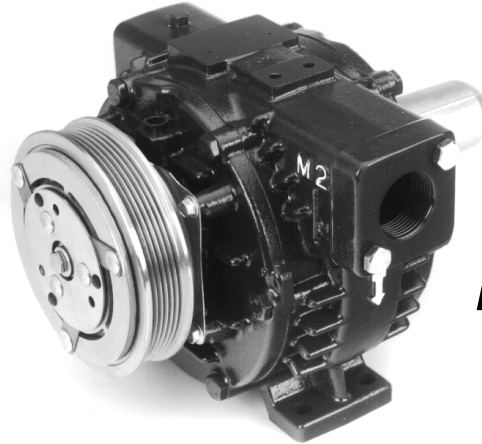




MDES-Series Magnetic Clutch Driven Vacuum / Pressure Pumps



M1DES



M2DES

◆ End Thrust Protection

- MDES Series Pumps are equipped with high quality bearings and end thrust protection to absorb side thrust inherent in magnetic clutch driven systems.

◆ Double Ended Shaft

- Rear shaft to Drive Auxiliary Water Pump.
- High Grade, Class 30, Castings are Stress Relieved Before Machining to Ensure Dimensional Stability at Operating Temperature

◆ Superior Machining

- Precise Machining and Assembly Delivers Optimum Efficiency.
- Each Pump's Rotor is Turned Then Ground to Exact Size.
- Cylinder is Bored and Honed.
- End Covers are Turned Before Being Lap Polished.

◆ Masport Quality & Performance

- Continuous Operation to 20" Hg.
- Achieve Minimum of 27" Hg.
- Heavy Duty Bearings.
- Compact Size for Ease of Installation.
- Vanes are Heat Stabilized and Machined to Exacting Tolerances for Superior Ruggedness and Durability.
- Easy to Service.
- Superior Pump Life.

◆ Performance Warranty

- One Year Limited Warranty, Against Defects in Workmanship and Materials.



PERFORMANCE DATA --- VACUUM

MASPORT Pump Model	R.P.M.	Displacement C.F.M.	S.C.F.M. & A.C.F.M. @ VACUUM "Hg											Maximum Vacuum - "Hg		Horsepower Required @ "Hg			
			5	10	15	18	20	22	24	25	26	27	28	Continuous	Intermittent	15	20	28	
M1DES	1400	23	SCFM	16.2	14.4	11.1	8.6	7.0	5.4	3.9	3.0	2.3	1.6	0.76	20	28	1.1	1.2	1.3
	ACFM	19.4	21.6	22.2	21.5	21.0	20.3	19.5	18.0	17.0	16.0	11.4							
M2DES	1750	29	SCFM	22.7	17.8	13.3	10.3	8.2	6.3	4.5	3.6	2.6	1.7	0.85	20	28	1.4	1.5	1.7
	ACFM	27.2	26.7	26.6	25.8	24.6	23.6	22.5	21.6	19.5	17.0	12.8							
M2DES	1400	60	SCFM	48.8	38.5	28.2	21.6	17.9	14.0	10.6	8.4	6.6	4.8	2.9	20	28	2.4	2.7	3.0
	ACFM	58.6	57.8	56.4	54.0	53.7	52.5	53.0	50.4	49.5	48.0	43.5							
M2DES	1750	76	SCFM	63.4	50.1	36.3	27.0	22.4	16.5	11.8	9.3	6.8	4.4	2.3	20	28	3.2	3.5	3.8
	ACFM	75.9	75.2	72.6	67.5	67.2	61.8	59.0	55.8	51.0	44.1	34.2							

PERFORMANCE DATA --- PRESSURE.

MASPORT Pump Model	R.P.M.	Displacement C.F.M.	S.C.F.M. @ P.S.I.G.								Maximum Pressure - "Hg		Horsepower Requirements @ P.S.I.G.			
			5	8	10	12	15	18	20	Continuous	Intermittent	5	10	15	20	
M1DES	1400	23	14.4	13.3	12.4	12.0	11.5	---	---	15	15	1.1	1.3	1.6	---	
	1750	29	21.8	21.6	20.8	20.2	17.1	16.6	16.1	15	20	1.4	1.7	2.1	2.4	
M2DES	1400	60	54.3	53.8	53.3	51.4	49.5	48.1	46.7	15	20	3.2	3.4	4.3	4.9	
	1750	76	74.6	73.5	71.3	69.4	63.1	61.0	59.3	15	20	4.0	4.3	5.4	6.2	

AVAILABLE PUMP COMPONENTS

DIMENSIONAL DATA

MAGNETIC CLUTCH OPTIONS	Part #	Rotation Clockwise Facing Clutch	M1DES Part # 975520	M2DES Part # 975130	
5" O.D. 2 Groove - A Section, 12 Volt D.C.	390331		A	5 3/8	5 11/16
6" O.D. 2 Groove - A Section, 12 Volt D.C.	575243		B	---	2 3/4
7" O.D. 2 Groove - A Section, 12 Volt D.C.	575241		C	1 13/16	2
5.3" O.D. Poly V 8 Groove - K Section, 12 Volt D.C.	39026		D	8 1/2	9 1/8
6" O.D. Poly V 8 Groove - K Section, 12 Volt D.C.	17050		E	2 9/16	2 9/16
			F*	7mm x 8 mm	7mm x 8mm
		G*	25 mm	25 mm	
		H	2 3/16	2 3/16	
		J	9 1/4	10 3/16	
		K	1	1 1/4	
		L	4 15/16	7	
		M	3 3/4	4 1/2	
		N	3 11/16	5 13/16	
		P	---	1 1/16	
		Q	3/8	15/32	
		R	4 15/16	6 3/32	
		S	3 9/16	5	

* All Measurements in Inches Except G & F

For additional information on these quality Masport Vacuum / Pressure Pumps contact:

MASPORT INCORPORATED

6140 McCormick Drive
 Lincoln, Nebraska 68507
 402-466-8428 FAX: 402-466-8355
 E-Mail: MASPORT @ NAVIX.NET

CALL TOLL FREE 800-228-4510

